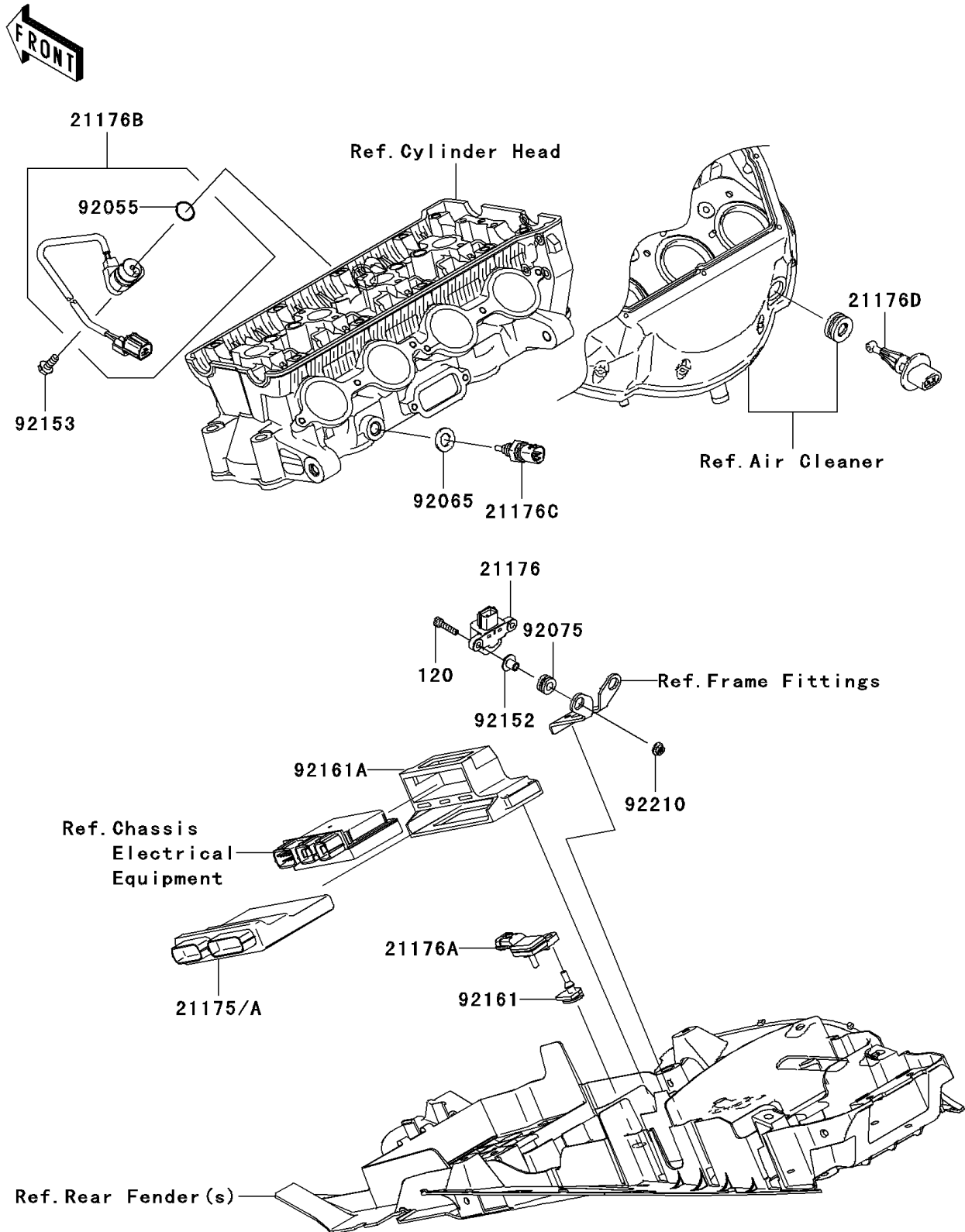


## 2006 NINJA® ZX™-10R PARTS DIAGRAM

Fuel Injection

E1530



## 2006 NINJA® ZX™-10R PARTS LIST

Fuel Injection

| ITEM NAME                              | PART NUMBER | QUANTITY |
|--|-------------|----------|
| BOLT-SOCKET,5X22 (Ref # 120)           | 120W0522    | 1        |
| SENSOR,VEHICLE-DOWN (Ref # 21176)      | 21176-0026  | 1        |
| SENSOR,PRESSURE (Ref # 21176A)         | 21176-0058  | 1        |
| SENSOR,CAM (Ref # 21176B)              | 21176-0064  | 1        |
| SENSOR,WATER TEMP (Ref # 21176C)       | 21176-1120  | 1        |
| SENSOR,AIR TEMP (Ref # 21176D)         | 21176-2106  | 1        |
| RING-O (Ref # 92055)                   | 92055-1639  | 1        |
| GASKET,12X22X2 (Ref # 92065)           | 92065-097   | 1        |
| DAMPER (Ref # 92075)                   | 92075-1912  | 1        |
| COLLAR (Ref # 92152)                   | 92152-0134  | 1        |
| BOLT-FLANGED,6X16 (Ref # 92153)        | 92153-1584  | 1        |
| DAMPER (Ref # 92161)                   | 92161-0041  | 1        |
| DAMPER,ECU (Ref # 92161A)              | 92161-0288  | 1        |
| NUT,FLANGED,5MM (Ref # 92210)          | 92210-0007  | 1        |
| CONTROL UNIT-ELECTRONIC (Ref # 21175)  | 21175-0082  | 1        |
| CONTROL UNIT-ELECTRONIC (Ref # 21175A) | 21175-0083  | 1        |