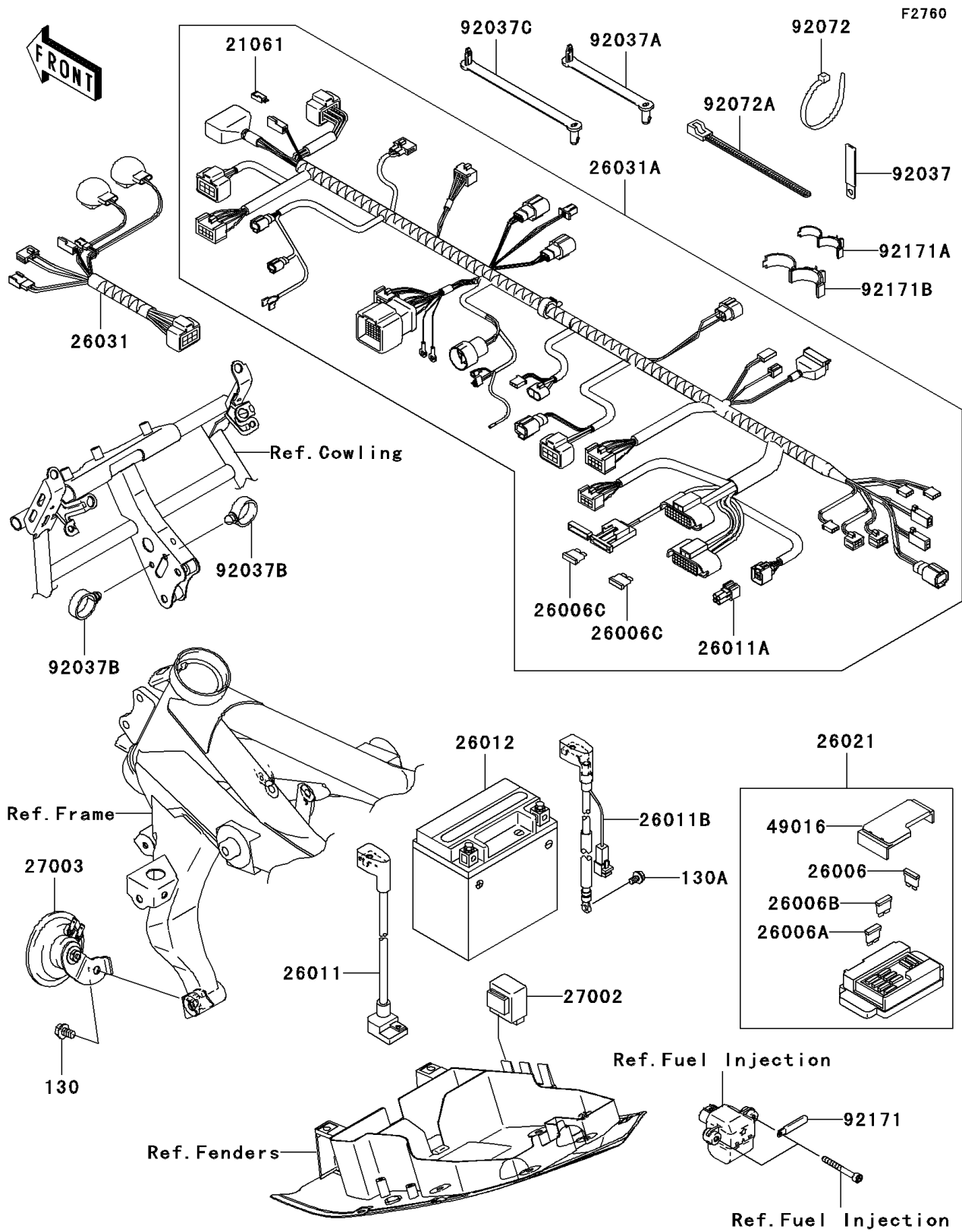


## 2006 Z750S PARTS DIAGRAM

Chassis Electrical Equipment



## 2006 Z750S PARTS LIST

Chassis Electrical Equipment

ITEM NAME	PART NUMBER	QUANTITY
BOLT-FLANGED,8X12 (Ref # 130)	130L0812	1
BOLT-FLANGED,6X10 (Ref # 130A)	130V0610	1
RECTIFIER (Ref # 21061)	21061-0001	1
FUSE,30A-G (Ref # 26006)	26006-1067	1
FUSE,10A-R (Ref # 26006A)	26006-1068	1
FUSE,15A-B (Ref # 26006B)	26006-1069	1
FUSE,15A (Ref # 26006C)	26006-1075	1
WIRE-LEAD,BATTERY(+) (Ref # 26011)	26011-0006	1
WIRE-LEAD (Ref # 26011A)	26011-0037	1
WIRE-LEAD,BATTERY(-) (Ref # 26011B)	26011-0041	1
BATTERY,YTX9-BS,12V 8AH (Ref # 26012)	26012-1326	1
JUNCTION BOX (Ref # 26021)	26021-0003	1
HARNESS,FR (Ref # 26031)	26031-0256	1
HARNESS,MAIN (Ref # 26031A)	26031-0268	1
RELAY-ASSY,SIGNAL LAMP (Ref # 27002)	27002-1097	1
HORN (Ref # 27003)	27003-0032	1
COVER-SEAL,FUSE (Ref # 49016)	49016-0005	1
CLAMP,L=60 (Ref # 92037)	92037-1069	1
CLAMP,SPEED,L=58 (Ref # 92037A)	92037-1163	1
CLAMP,HOSE (Ref # 92037B)	92037-1827	1
CLAMP,SPEED,L=80.5 (Ref # 92037C)	92037-1903	1
BAND,L=202 (Ref # 92072)	92072-1195	1
BAND,L=250 (Ref # 92072A)	92072-1237	1
CLAMP (Ref # 92171)	92171-0181	1
CLAMP,DIA=15 (Ref # 92171A)	92171-1424	1
CLAMP,DIA=25 (Ref # 92171B)	92171-1559	1