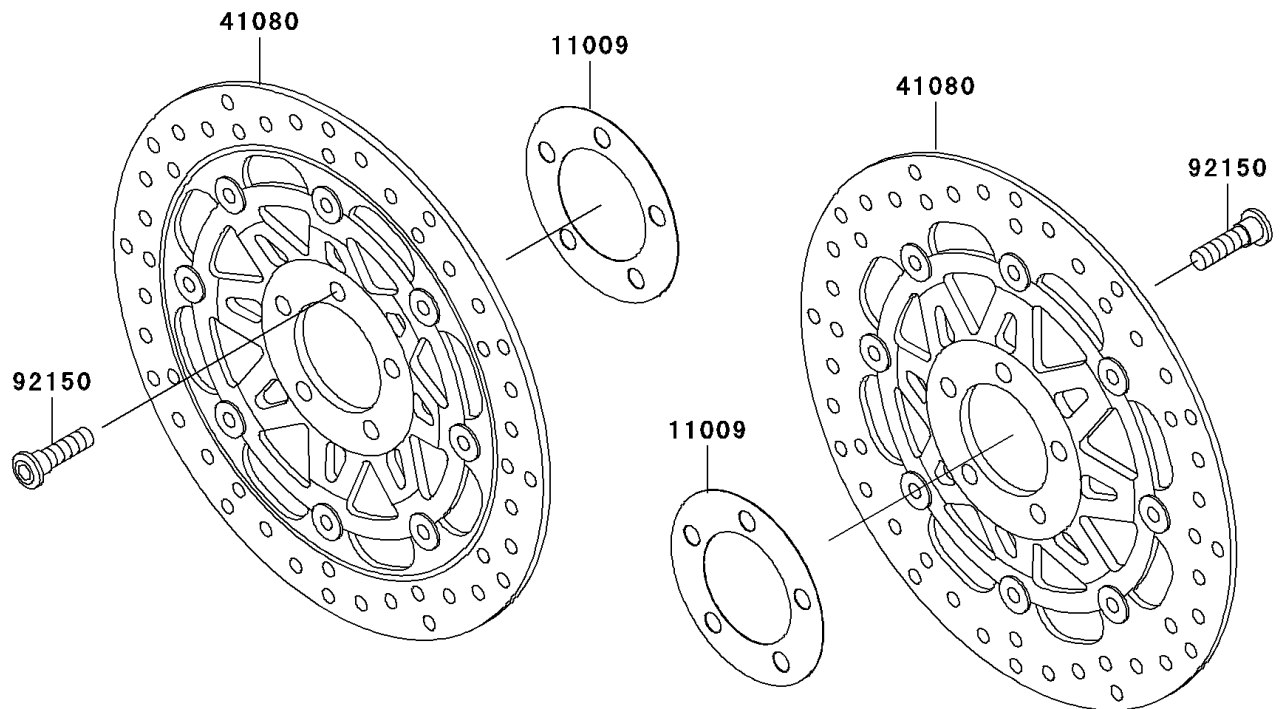
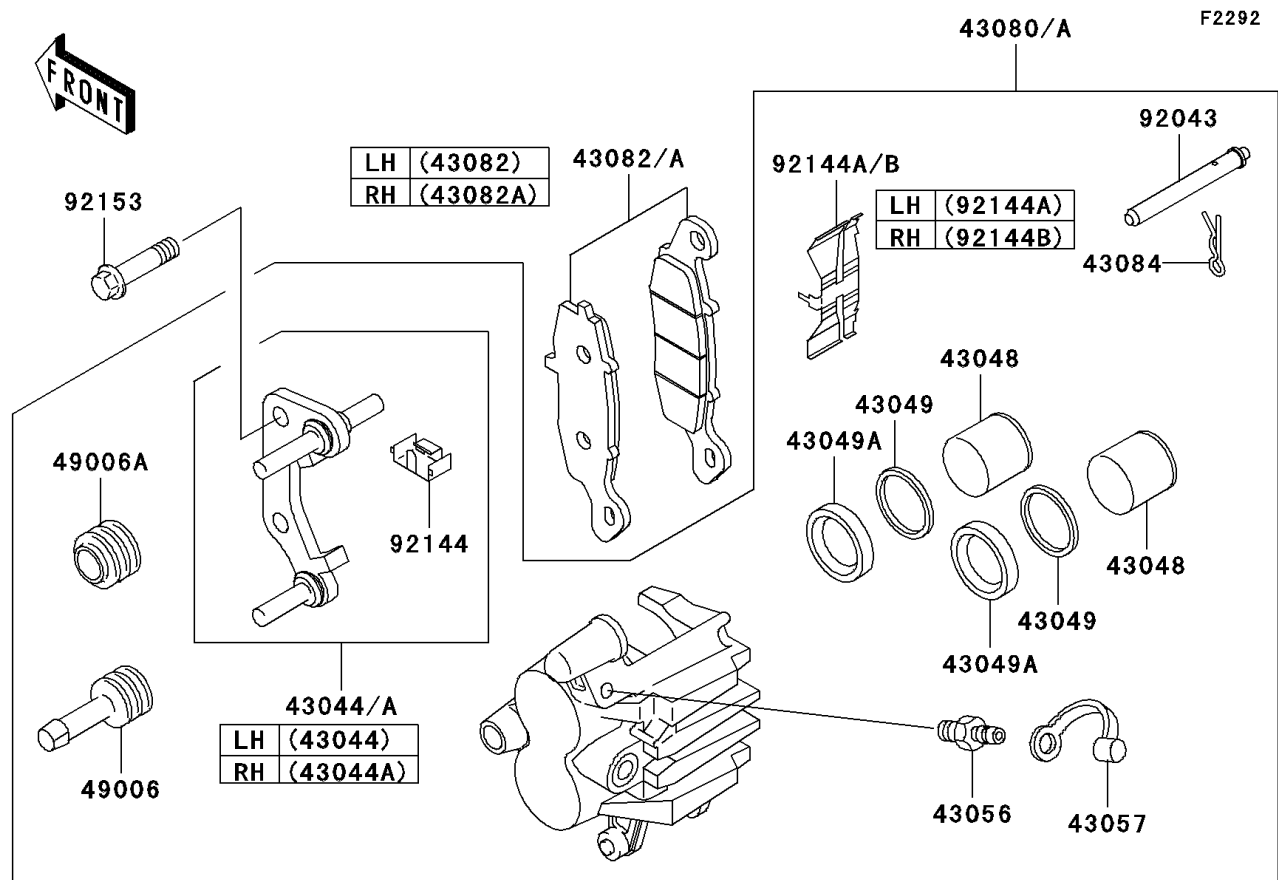


## 2006 Z750S PARTS DIAGRAM

Front Brake



## 2006 Z750S PARTS LIST

Front Brake

ITEM NAME	PART NUMBER	QUANTITY
GASKET,DISC PLATE (Ref # 11009)	11009-1754	1
DISC,FR,SILVER+DISC-SILVER (Ref # 41080)	41080-0045-S6	1
HOLDER-COMP-CALIPER,FR,LH (Ref # 43044)	43044-1115	1
HOLDER-COMP-CALIPER (Ref # 43044A)	43044-1116	1
PISTON-CALIPER (Ref # 43048)	43048-1073	1
PACKING (Ref # 43049)	43049-1068	1
PACKING,PISTON SEAL (Ref # 43049A)	43049-1092	1
BREATHER-BRAKE (Ref # 43056)	43056-1054	1
CAP-BREATHER (Ref # 43057)	43057-003	1
CALIPER-SUB-ASSY,FR,RH,BLACK (Ref # 43080)	43080-5015-DJ	1
CALIPER-SUB-ASSY,FR,LH,BLACK (Ref # 43080A)	43080-5017-DJ	1
PAD-ASSY-BRAKE,LH (Ref # 43082)	43082-0044	1
PAD-ASSY-BRAKE,RH (Ref # 43082A)	43082-0045	1
CLAMP,PAD (Ref # 43084)	43084-003	1
BOOT,CALIPER (Ref # 49006)	49006-1054	1
BOOT,CALIPER (Ref # 49006A)	49006-1095	1
PIN,PAD (Ref # 92043)	92043-1489	1
SPRING,STOPPER (Ref # 92144)	92144-1831	1
SPRING,PAD,LH (Ref # 92144A)	92144-1832	1
SPRING,PAD,RH (Ref # 92144B)	92144-1844	1
BOLT,SOCKET,8X30 (Ref # 92150)	92150-1771	1
BOLT,FLANGED,10X41 (Ref # 92153)	92153-0587	1