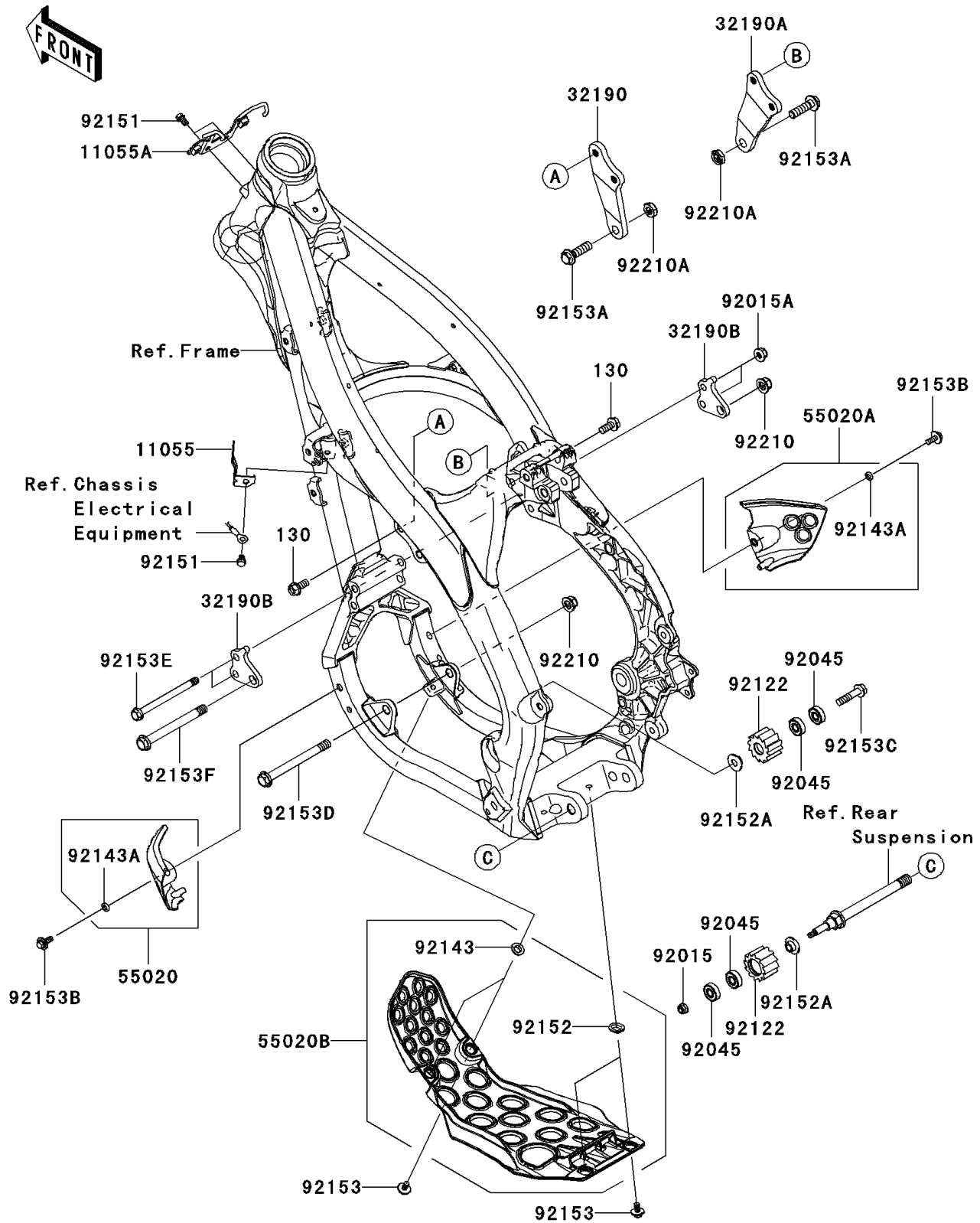


2009 KX™250F PARTS DIAGRAM

Frame Fittings

F2131



2009 KX™250F PARTS LIST

Frame Fittings

ITEM NAME	PART NUMBER	QUANTITY
BOLT-FLANGED,8X18 (Ref # 130)	130CA0818	1
BRACKET (Ref # 11055)	11055-0721	1
BRACKET,IGNITER (Ref # 11055A)	11055-1474	1
BRACKET-ENGINE,UPP,LH (Ref # 32190)	32190-0391	1
BRACKET-ENGINE,UPP,RH (Ref # 32190A)	32190-0392	1
BRACKET-ENGINE,FR (Ref # 32190B)	32190-0431	1
GUARD,ENGINE,SIDE,LH,EBONY (Ref # 55020)	55020-0435-6C	1
GUARD,ENGINE,SIDE,RH,EBONY (Ref # 55020A)	55020-0436-6C	1
GUARD,ENGINE,LWR,EBONY (Ref # 55020B)	55020-0443-6C	1
NUT,LOCK,FLANGED,6MM (Ref # 92015)	92015-1339	1
NUT,8MM (Ref # 92015A)	92015-1432	1
BEARING-BALL,608LLU/2A (Ref # 92045)	92045-0060	1
ROLLER,CHAIN GUIDE (Ref # 92122)	92122-0016	1
COLLAR (Ref # 92143)	92143-1196	1
COLLAR (Ref # 92143A)	92143-1307	1
BOLT,FLANGED,6X10 (Ref # 92151)	92151-1233	1
COLLAR (Ref # 92152)	92152-0052	1
COLLAR (Ref # 92152A)	92152-0459	1
BOLT,6X12 (Ref # 92153)	92153-0503	1
BOLT,FLANGED,10X35 (Ref # 92153A)	92153-0802	1
BOLT,6X16 (Ref # 92153B)	92153-0863	1
BOLT,FLANGED,8X35 (Ref # 92153C)	92153-1652	1
BOLT,FLANGED,10X128 (Ref # 92153D)	92153-1869	1
BOLT,FLANGED,8X102 (Ref # 92153E)	92153-1916	1
BOLT,FLANGED,10X104 (Ref # 92153F)	92153-1917	1
NUT,LOCK,FLANGED,10MM (Ref # 92210)	92210-1080	1
NUT,LOCK,10MM (Ref # 92210A)	92210-1184	1