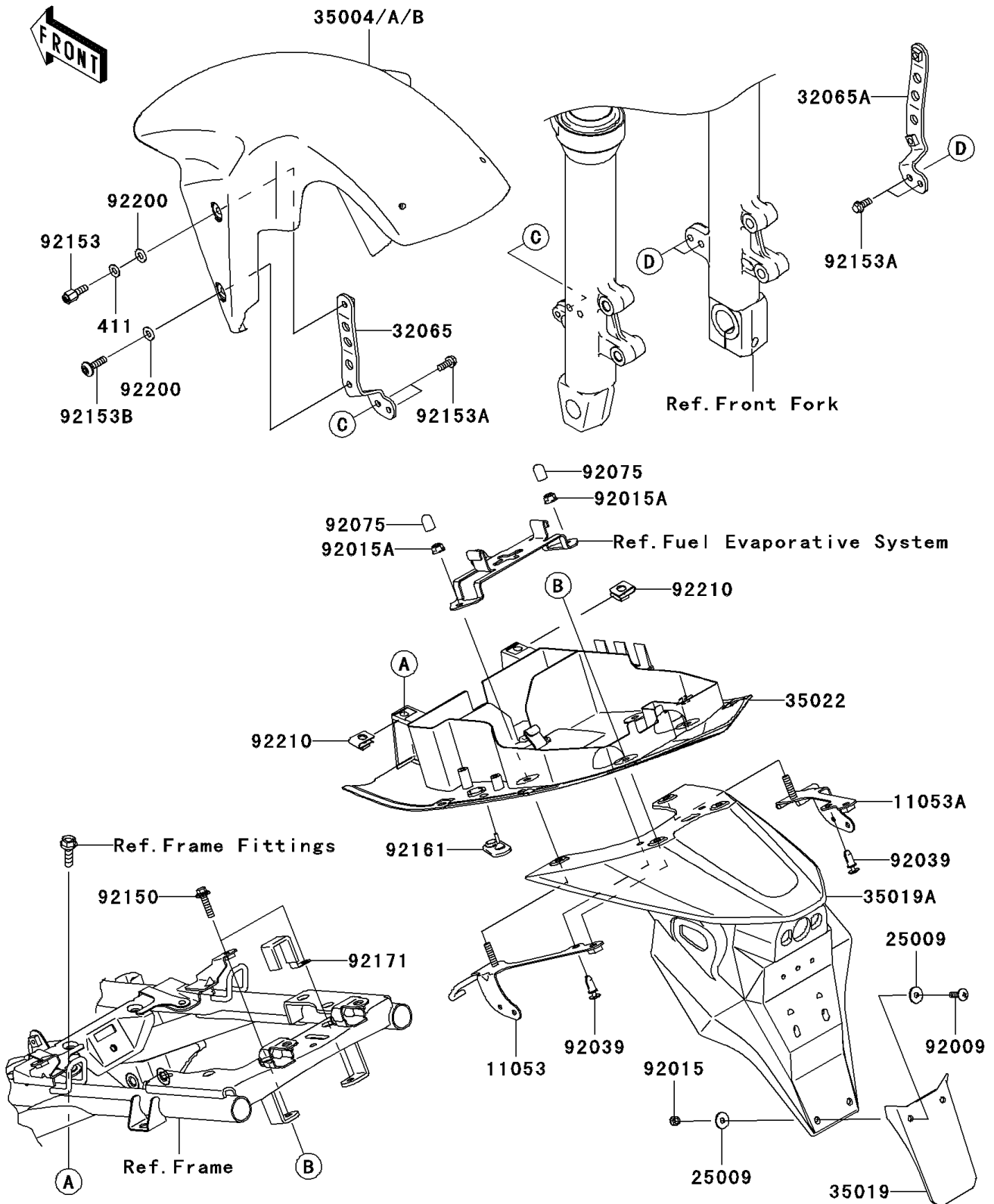


## 2006 Z750S PARTS DIAGRAM

Fenders

F2170



## 2006 Z750S PARTS LIST

### Fenders

| ITEM NAME                             | PART NUMBER    | QUANTITY |
|---------------------------------------|----------------|----------|
| WASHER-PLAIN,6MM,BLACK (Ref # 411)    | 411F0600       | 1        |
| BRACKET,FLAP,LH (Ref # 11053)         | 11053-0060     | 1        |
| BRACKET,FLAP,RH (Ref # 11053A)        | 11053-0061     | 1        |
| WASHER,5.2X16X1.2 (Ref # 25009)       | 25009-004      | 1        |
| BRACKET-FENDER,LH (Ref # 32065)       | 32065-0002     | 1        |
| BRACKET-FENDER,RH (Ref # 32065A)      | 32065-0003     | 1        |
| FENDER-FRONT,M.S.BLACK (Ref # 35004B) | 35004-0024-660 | 1        |
| FLAP (Ref # 35019)                    | 35019-0006     | 1        |
| FLAP,REAR FENDER (Ref # 35019A)       | 35019-0007     | 1        |
| FENDER-COMP-REAR (Ref # 35022)        | 35022-0026     | 1        |
| SCREW,5X14 (Ref # 92009)              | 92009-1653     | 1        |
| NUT,LOCK,5MM (Ref # 92015)            | 92015-1221     | 1        |
| NUT,LOCK,FLANGED,6MM (Ref # 92015A)   | 92015-1603     | 1        |
| RIVET (Ref # 92039)                   | 92039-1286     | 1        |
| DAMPER,SIDE COVER (Ref # 92075)       | 92075-1964     | 1        |
| BOLT,6X25 (Ref # 92150)               | 92150-1829     | 1        |
| BOLT,6MM (Ref # 92153)                | 92153-0476     | 1        |
| BOLT,FLANGED,6X14 (Ref # 92153A)      | 92153-0589     | 1        |
| BOLT,SOCKET,6X23 (Ref # 92153B)       | 92153-1267     | 1        |
| DAMPER,REAR FENDER (Ref # 92161)      | 92161-0298     | 1        |
| CLAMP (Ref # 92171)                   | 92171-0488     | 1        |
| WASHER,6.5X14X1 (Ref # 92200)         | 92200-1388     | 1        |
| NUT (Ref # 92210)                     | 92210-0130     | 1        |
| FENDER-FRONT,BLUE (Ref # 35004)       | 35004-0024-10E | 1        |
| FENDER-FRONT,G.SILVER (Ref # 35004A)  | 35004-0024-474 | 1        |