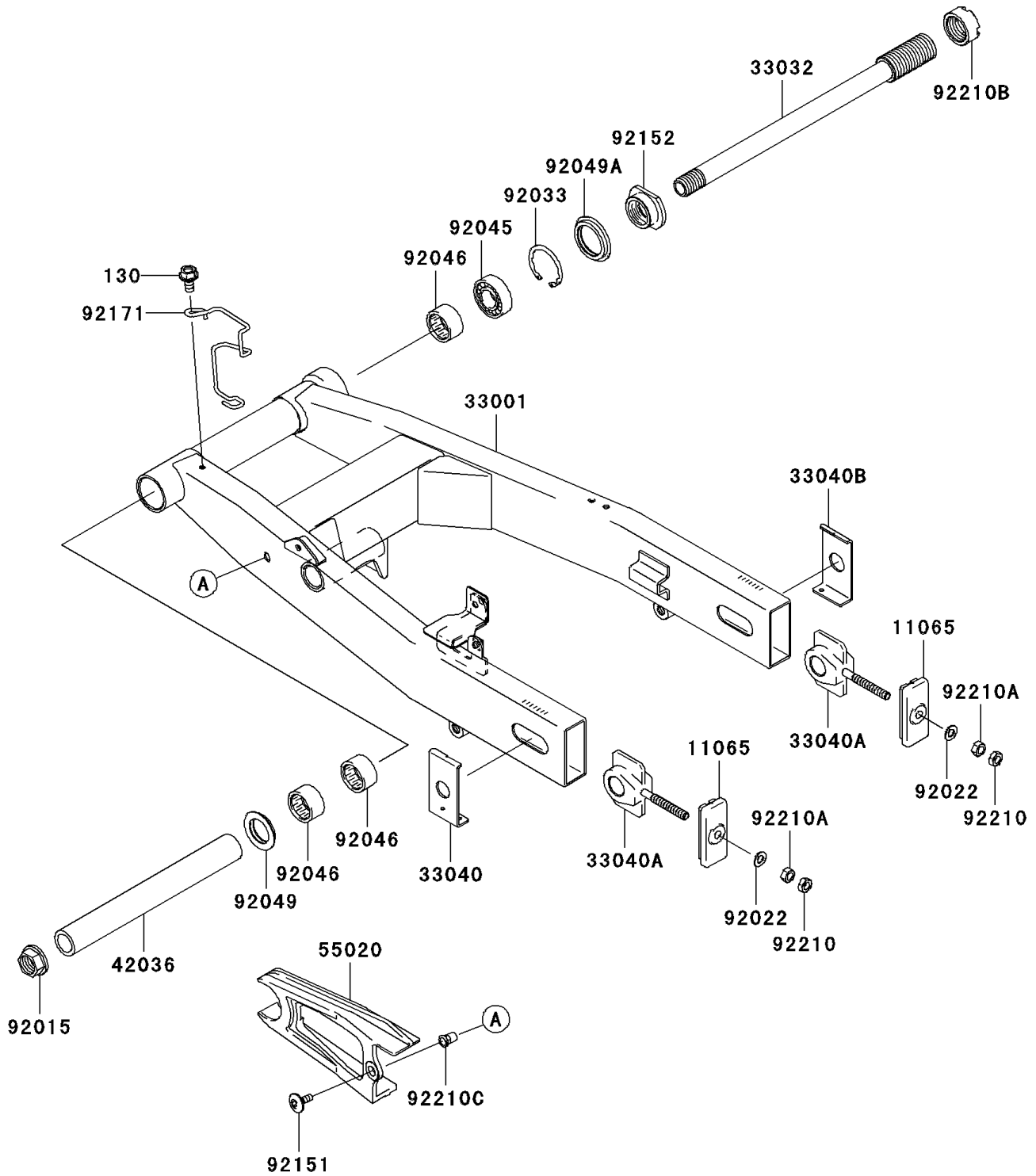


2006 Z750S PARTS DIAGRAM

Swingarm

F2141



2006 Z750S PARTS LIST

Swingarm

ITEM NAME	PART NUMBER	QUANTITY
BOLT-FLANGED,6X12 (Ref # 130)	130L0612	1
CAP,CHAIN ADJUSTER (Ref # 11065)	11065-0055	1
ARM-COMP-SWING (Ref # 33001)	33001-0051	1
SHAFT-SWING ARM (Ref # 33032)	33032-0005	1
ADJUSTER-CHAIN,OUTER,LH (Ref # 33040)	33040-0009	1
ADJUSTER-CHAIN,INNER (Ref # 33040A)	33040-0012	1
ADJUSTER-CHAIN,OUTER (Ref # 33040B)	33040-1143	1
SLEEVE,SWING ARM,L=237 (Ref # 42036)	42036-1264	1
GUARD,CHAIN (Ref # 55020)	55020-0061	1
NUT,FLANGED,20MM (Ref # 92015)	92015-1724	1
WASHER,8.5X16X1.2 (Ref # 92022)	92022-1582	1
RING-SNAP,42MM (Ref # 92033)	92033-1041	1
BEARING-BALL,6004UL11 (Ref # 92045)	92045-0017	1
BEARING-NEEDLE,7E-HVS 28X34X17 (Ref # 92046)	92046-0008	1
SEAL-OIL (Ref # 92049)	92049-1181	1
SEAL-OIL,MHA 35 42 5.7F (Ref # 92049A)	92049-1380	1
BOLT,SOCKET,6X18 (Ref # 92151)	92151-1149	1
COLLAR,SWING ARM PIVOT,RH (Ref # 92152)	92152-0136	1
CLAMP (Ref # 92171)	92171-0141	1
NUT,8MM (Ref # 92210)	92210-0116	1
NUT,8MM (Ref # 92210A)	92210-0117	1
NUT,M28X1.0 (Ref # 92210B)	92210-1347	1
NUT,POP,6MM,L=15 (Ref # 92210C)	92210-1397	1