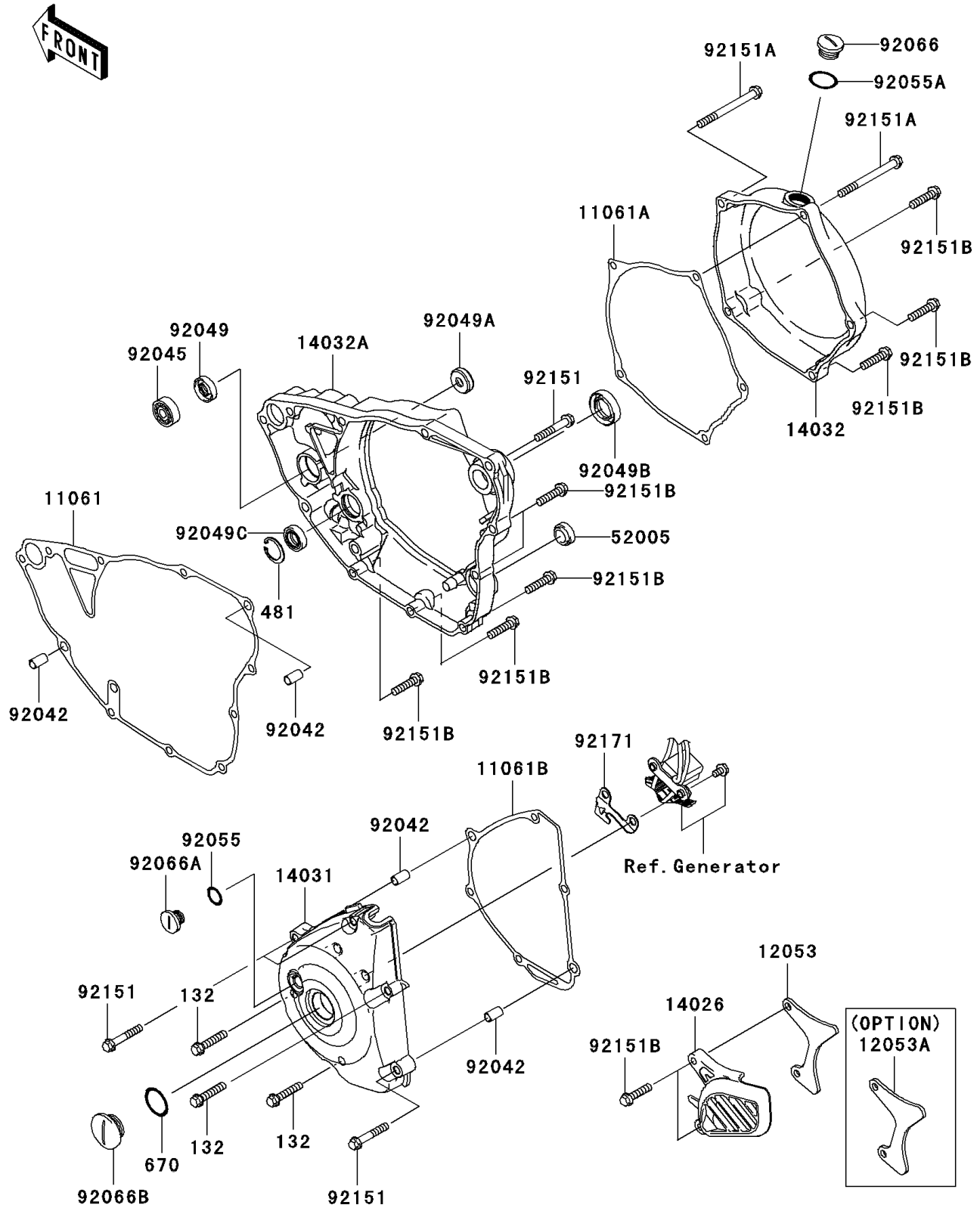


## 2009 KX™250F PARTS DIAGRAM

Engine Cover(s)

E1431



## 2009 KX™250F PARTS LIST

Engine Cover(s)

ITEM NAME	PART NUMBER	QUANTITY
BOLT-FLANGED-SMALL,6X30 (Ref # 132)	132BC0630	1
CIRCLIP (Ref # 481)	481J2200	1
O RING,22MM (Ref # 670)	670B2022	1
GASKET,INNER (Ref # 11061)	11061-0361	1
GASKET,OUTER (Ref # 11061A)	11061-0362	1
GASKET (Ref # 11061B)	11061-0363	1
GUIDE-CHAIN,13T (Ref # 12053)	12053-0129	1
GUIDE-CHAIN,12T (Ref # 12053A)	12053-0130	1
COVER-CHAIN (Ref # 14026)	14026-0026	1
COVER-GENERATOR (Ref # 14031)	14031-0098	1
COVER-CLUTCH,OUTER (Ref # 14032)	14032-0120	1
COVER-CLUTCH,INNER (Ref # 14032A)	14032-0136	1
GAUGE,OIL LEVEL (Ref # 52005)	52005-1009	1
PIN,DOWEL,6.3X8X14 (Ref # 92042)	92042-007	1
BEARING-BALL,#628 (Ref # 92045)	92045-1123	1
SEAL-OIL,SD 8 22 5 ZS (Ref # 92049)	92049-0060	1
SEAL-OIL (Ref # 92049A)	92049-0061	1
SEAL-OIL,SB18307 (Ref # 92049B)	92049-013	1
SEAL-OIL,TC13225.5 (Ref # 92049C)	92049-1519	1
RING-O,13.0X1.9 (Ref # 92055)	92055-1011	1
RING-O,20X2 (Ref # 92055A)	92055-1146	1
PLUG,COVER (Ref # 92066)	92066-0011	1
PLUG,12X9.1 (Ref # 92066A)	92066-0039	1
PLUG,OIL (Ref # 92066B)	92066-0059	1
BOLT,6X35 (Ref # 92151)	92151-1135	1
BOLT,6X65 (Ref # 92151A)	92151-1199	1
BOLT,FLANGED-SMALL,6X25 (Ref # 92151B)	92151-1930	1
CLAMP,HARNESS (Ref # 92171)	92171-0195	1