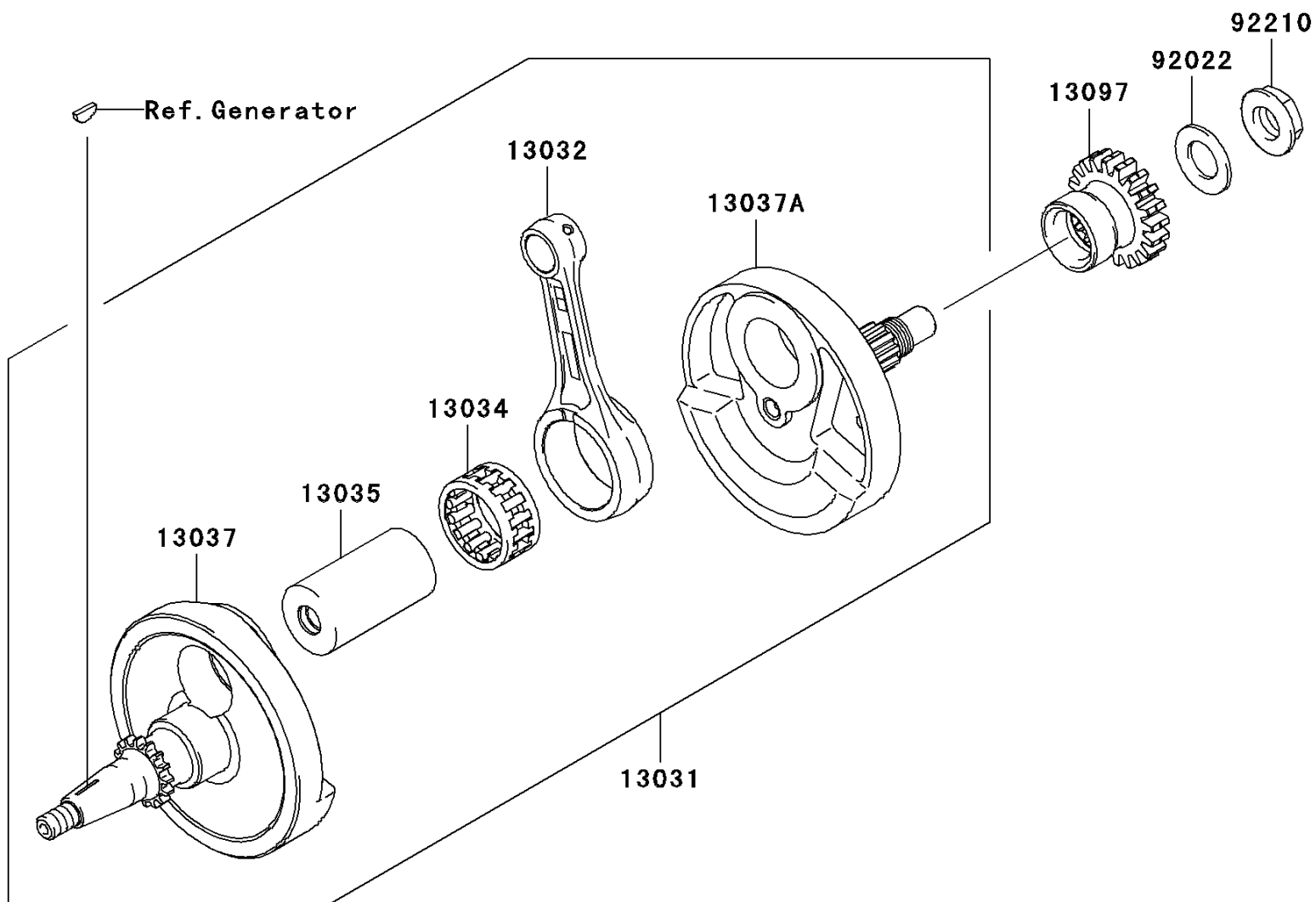


2009 KX™250F PARTS DIAGRAM

Crankshaft

E1321



2009 KX™250F PARTS LIST

Crankshaft

| ITEM NAME | PART NUMBER | QUANTITY |
|-------------------------------------|-------------|----------|
| CRANKSHAFT-COMP (Ref # 13031) | 13031-0106 | 1 |
| ROD-CONNECTING (Ref # 13032) | 13032-0047 | 1 |
| BEARING-BIG END,B4 (Ref # 13034) | 13034-0014 | 1 |
| PIN-CRANK (Ref # 13035) | 13035-0015 | 1 |
| CRANKSHAFT,LH (Ref # 13037) | 13037-0149 | 1 |
| CRANKSHAFT,RH (Ref # 13037A) | 13037-0150 | 1 |
| GEAR-PRIMARY SPUR,20T (Ref # 13097) | 13097-0091 | 1 |
| WASHER,16.3X29X1.75 (Ref # 92022) | 92022-1356 | 1 |
| NUT,LEFT HANDED,16MM (Ref # 92210) | 92210-0350 | 1 |