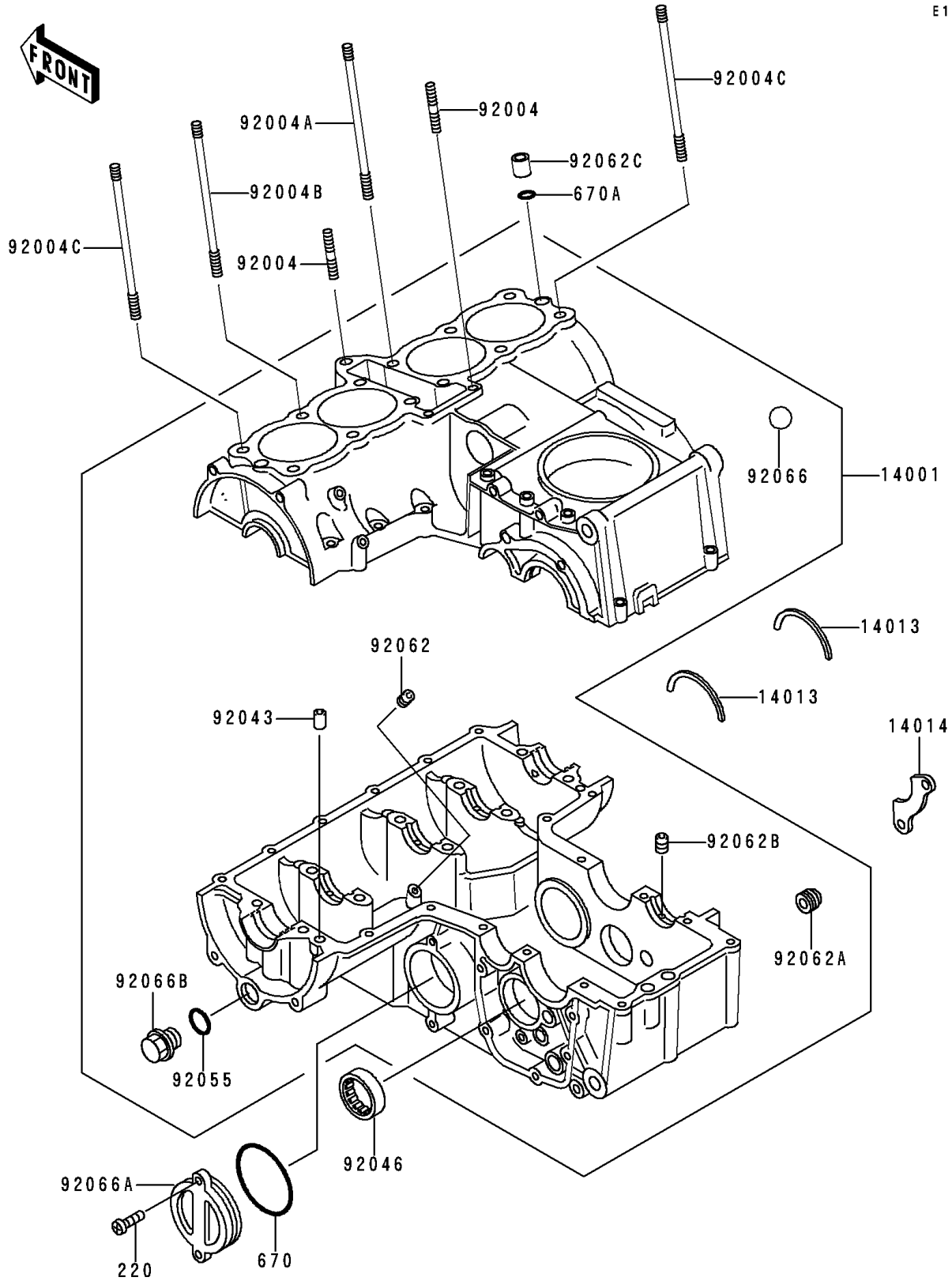


## 1990 Zephyr™ 550 PARTS DIAGRAM

Crankcase

E1411



## 1990 Zephyr™ 550 PARTS LIST

Crankcase

ITEM NAME	PART NUMBER	QUANTITY
SCREW-PAN-CROS,6X20,WHITE (Ref # 220)	220B0620	1
O RING,46MM (Ref # 670)	670B3046	1
O RING (Ref # 670A)	670D2010	1
SET-CRANKCASE (Ref # 14001)	14001-5270	1
RING-POSITION (Ref # 14013)	14013-004	1
PLATE-POSITION (Ref # 14014)	14014-1006	1
STUD,6X22 (Ref # 92004)	92004-059	1
STUD,8X146 (Ref # 92004A)	92004-1193	1
STUD,8X108.5 (Ref # 92004B)	92004-1194	1
STUD,8X128.5 (Ref # 92004C)	92004-1195	1
PIN,8.2X10X14 (Ref # 92043)	92043-1264	1
BEARING-NEEDLE,37BTM4312 (Ref # 92046)	92046-051	1
RING-O (Ref # 92055)	92055-1146	1
NOZZLE,BLACK (Ref # 92062)	92062-011	1
NOZZLE (Ref # 92062A)	92062-014	1
NOZZLE,SILVER (Ref # 92062B)	92062-015	1
NOZZLE (Ref # 92062C)	92062-016	1
PLUG,RUBBER BALL,6.7 (Ref # 92066)	92066-057	1
PLUG,SECONDARY SHAFT,52X19 (Ref # 92066A)	92066-1019	1
PLUG,MAIN GALLERY,18X9,BLACK (Ref # 92066B)	92066-1096	1