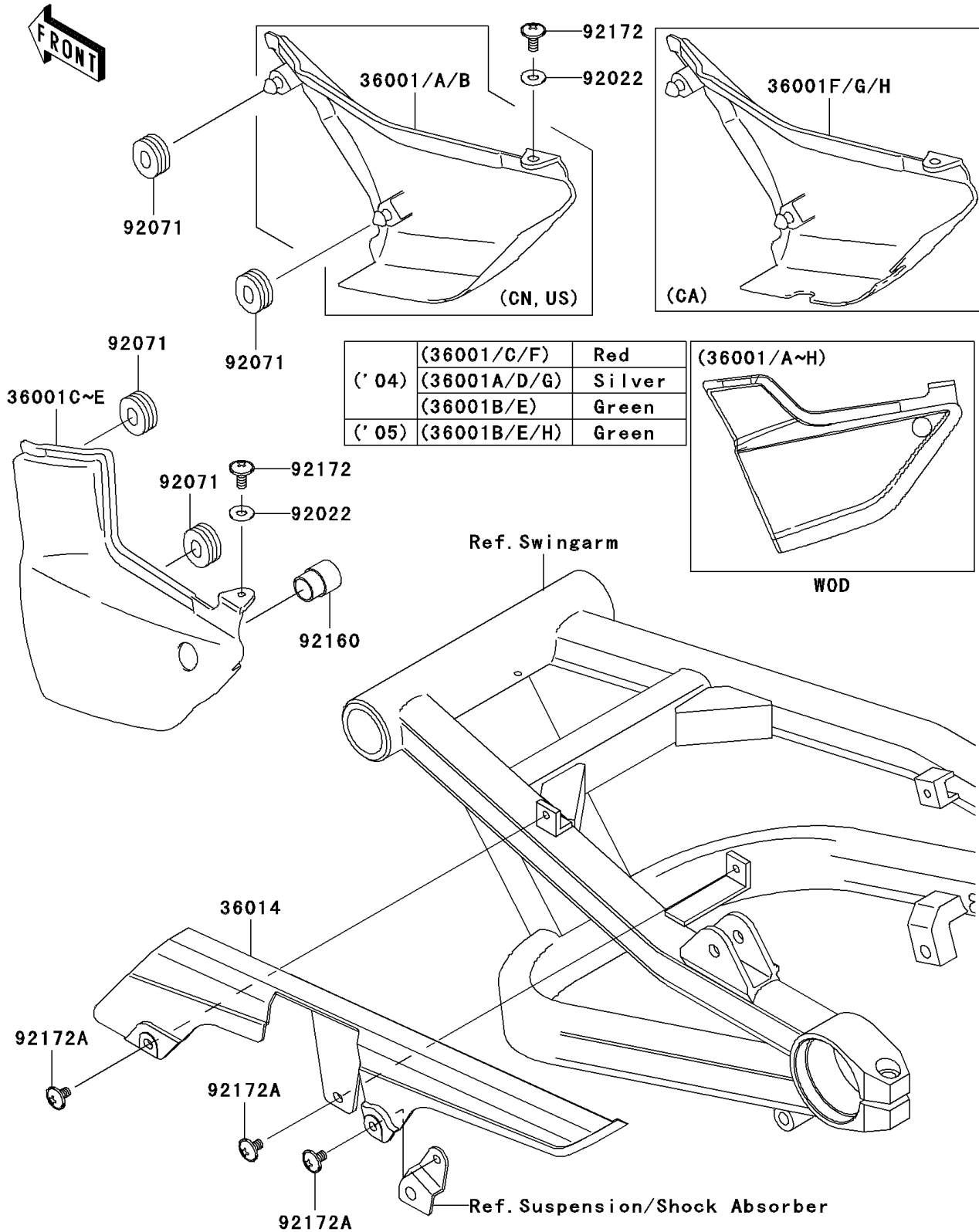


## 2004 ZRX1200 PARTS DIAGRAM

Side Covers/Chain Cover

F2610



## 2004 ZRX1200 PARTS LIST

Side Covers/Chain Cover

ITEM NAME	PART NUMBER	QUANTITY
COVER-SIDE,LH,P.RED (Ref # 36001C)	36001-1597-234	1
CASE-CHAIN (Ref # 36014)	36014-1244	1
WASHER,6.5X16X1 (Ref # 92022)	92022-1143	1
GROMMET (Ref # 92071)	92071-056	1
DAMPER (Ref # 92160)	92160-1871	1
SCREW,6X14 (Ref # 92172)	92172-0004	1
SCREW,6X10 (Ref # 92172A)	92172-0005	1
COVER-SIDE,RH,P.RED (Ref # 36001)	36001-1575-234	1
COVER-SIDE,RH,G.SILVER (Ref # 36001A)	36001-1575-474	1
COVER-SIDE,RH,C.L.GREEN (Ref # 36001B)	36001-1575-8N	1
COVER-SIDE,LH,G.SILVER (Ref # 36001D)	36001-1597-474	1
COVER-SIDE,LH,C.L.GREEN (Ref # 36001E)	36001-1597-8N	1
COVER-SIDE,RH,P.RED (Ref # 36001F)	36001-1648-234	1
COVER-SIDE,RH,G.SILVER (Ref # 36001G)	36001-1648-474	1