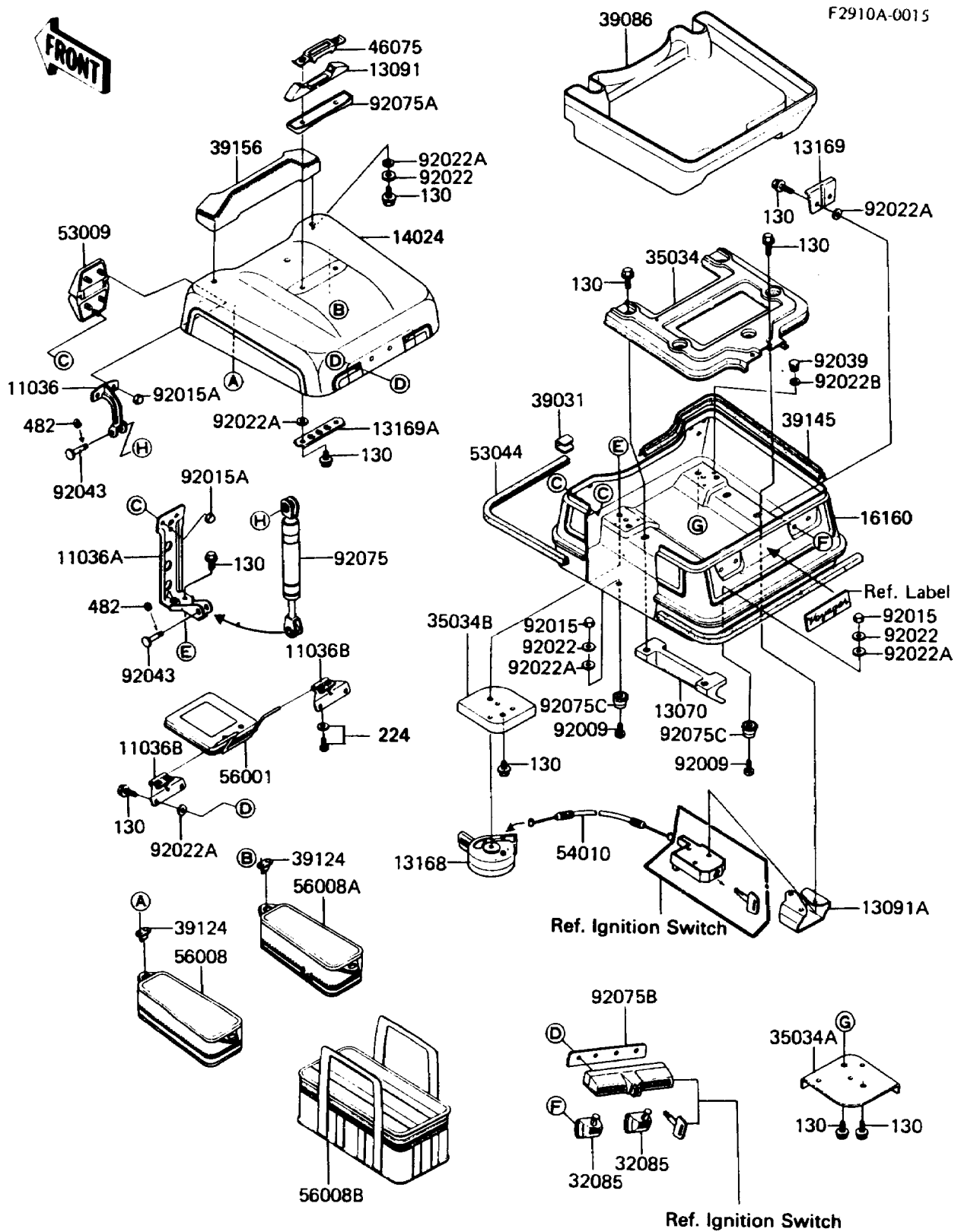


1987 Voyager® 1300 PARTS DIAGRAM

Accessory



1987 Voyager® 1300 PARTS LIST

Accessory

ITEM NAME	PART NUMBER	QUANTITY
BRACKET-A,TRUNK DAMPER,UPP (Ref # 11036)	11036-1866	1
BRACKET-A,TRUNK DAMPER,LWR (Ref # 11036A)	11036-1867	1
BRACKET-A,TRUNK COVER (Ref # 11036B)	11036-1893	1
GUIDE,TRUNK (Ref # 13070)	13070-1079	1
HOLDER,TRUNK GRIP (Ref # 13091)	13091-1179	1
HOLDER,TRUNK LOCK (Ref # 13091A)	13091-1256	1
LEVER,TRUNK LOCK (Ref # 13168)	13168-1141	1
PLATE,TRUNK STOPPER (Ref # 13169)	13169-1590	1
PLATE,TRUNK (Ref # 13169A)	13169-1591	1
COVER,TRUNK,L.V.RED (Ref # 14024)	14024-5040-P5	1
BODY,TRUNK,L.V.RED (Ref # 16160)	16160-5013-P5	1
STOPPER,TRUNK LOCK (Ref # 32085)	32085-1125	1
REINFORCE,TRUNK BOTTOM (Ref # 35034)	35034-1089	1
REINFORCE,TRUNK DAMPER,RH (Ref # 35034A)	35034-1154	1
REINFORCE,TRUNK DAMPER,LH (Ref # 35034B)	35034-1156	1
CAP-END,TRUNK TRIM (Ref # 39031)	39031-1053	1
PAD-STORAGE,TRUNK (Ref # 39086)	39086-1001	1
SNAP,TRUNK BAG (Ref # 39124)	39124-1001	1
TRIM-SEAL,TRUNK (Ref # 39145)	39145-1002	1
PAD,BLACK (Ref # 39156)	39156-1060	1
GRIP,TRUNK (Ref # 46075)	46075-1034	1
HINGE,TRUNK (Ref # 53009)	53009-1035	1
TRIM,TRUNK SIDE (Ref # 53044)	53044-1041	1
CABLE,TRUNK LOCK (Ref # 54010)	54010-1007	1
MIRROR-ASSY (Ref # 56001)	56001-1137	1
BAG,LH (Ref # 56008)	56008-1021	1
BAG,RH (Ref # 56008A)	56008-1022	1
BAG,CRT,INNER (Ref # 56008B)	56008-1024	1
SCREW,6X28 (Ref # 92009)	92009-1066	1

1987 Voyager® 1300 PARTS LIST

Accessory

ITEM NAME	PART NUMBER	QUANTITY
NUT,LOCK 6MM (Ref # 92015)	92015-1262	1
NUT,LOCK 5MM (Ref # 92015A)	92015-1263	1
WASHER,7X28X1.6,BLACK (Ref # 92022)	92022-1392	1
WASHER,RUBBER (Ref # 92022A)	92022-1477	1
WASHER,3.5X10X1.0 (Ref # 92022B)	92022-1483	1
RIVET (Ref # 92039)	92039-1041	1
PIN (Ref # 92043)	92043-1142	1
DAMPER,GASS (Ref # 92075)	92075-1449	1
DAMPER,TRUNK GRIP (Ref # 92075A)	92075-1451	1
DAMPER,TRUNK LOCK (Ref # 92075B)	92075-1479	1
DAMPER,TRUNK & SIDEBAG (Ref # 92075C)	92075-1510	1
BOLT-FLANGED,6X16 (Ref # 130)	130C0616	1
SCREW-PAN-WP-CROS,5X14 (Ref # 224)	224C0514	1
CIRCLIP-TYPE-E,4MM (Ref # 482)	482L4000	1