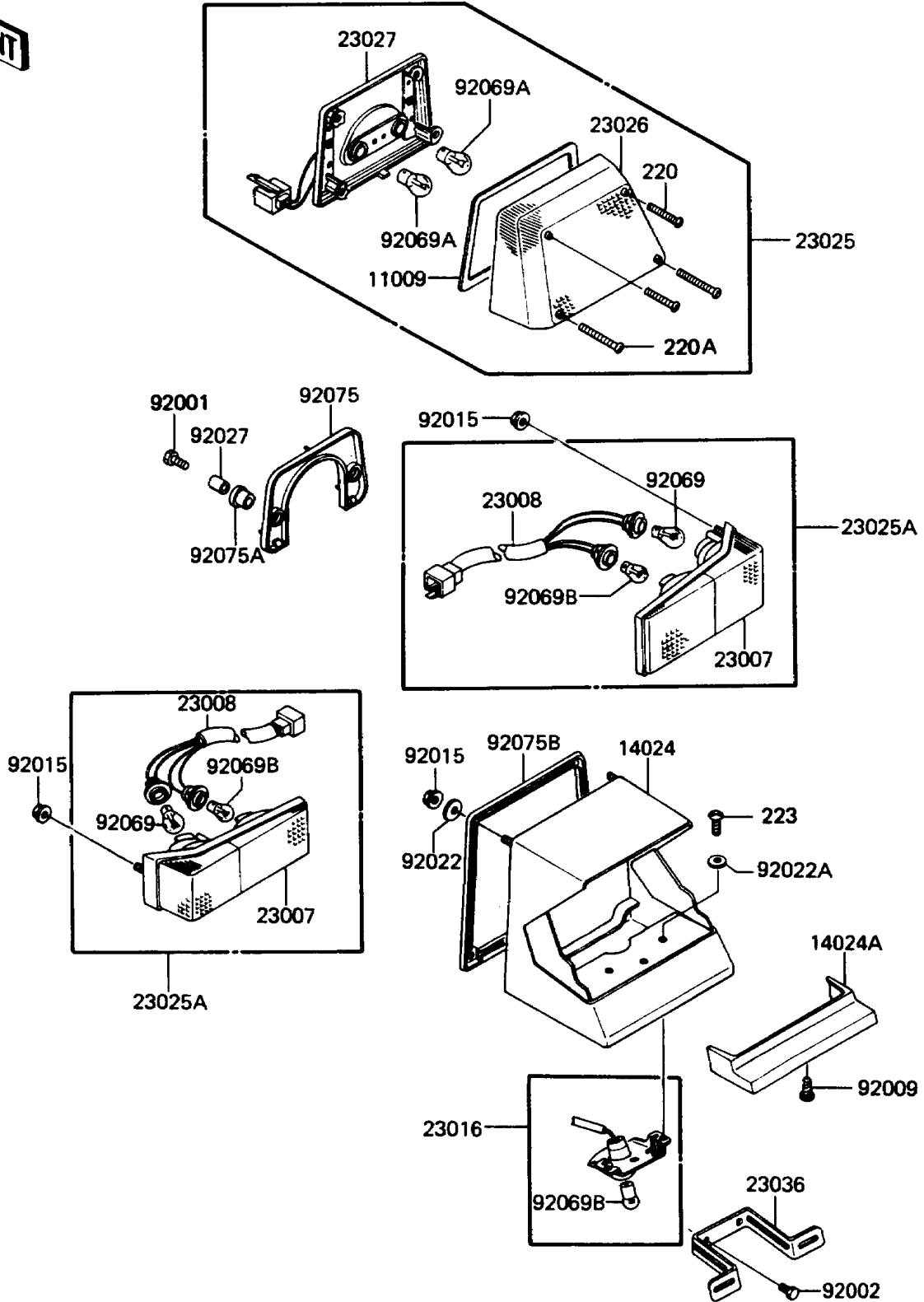


1987 Voyager® 1300 PARTS DIAGRAM

Taillight(s)

F2720-0169



1987 Voyager® 1300 PARTS LIST

Taillight(s)

| ITEM NAME | PART NUMBER | QUANTITY |
|--|-------------|----------|
| GASKET,TAIL LAMP LENS (Ref # 11009) | 11009-1098 | 1 |
| COVER,TAIL LAMP,UPP (Ref # 14024) | 14025-1669 | 1 |
| COVER,TAIL LAMP,LWR (Ref # 14024A) | 14025-1670 | 1 |
| LENS-COMP,TAIL&SIGNAL LAMP (Ref # 23007) | 23007-1101 | 1 |
| SOCKET-ASSY,TAIL&SIGNAL LAMP (Ref # 23008) | 23008-1203 | 1 |
| LAMP-ASSY,LICENSE PLATE (Ref # 23016) | 23016-1024 | 1 |
| LAMP-TAIL,& STOP (Ref # 23025) | 23025-1049 | 1 |
| LAMP-TAIL,& TURN SIGNAL (Ref # 23025A) | 23025-1050 | 1 |
| LENS,TAIL LAMP (Ref # 23026) | 23026-1055 | 1 |
| BODY-COMP-TAIL LAMP (Ref # 23027) | 23027-1054 | 1 |
| BRACKET-TAIL LAMP (Ref # 23036) | 23036-1054 | 1 |
| BOLT,6X30 (Ref # 92001) | 92001-1776 | 1 |
| BOLT,6X14 (Ref # 92002) | 92002-1260 | 1 |
| SCREW,TAPPING,4X14 (Ref # 92009) | 92008-010 | 1 |
| NUT,FLANGED,5MM (Ref # 92015) | 92015-1259 | 1 |
| WASHER,5.5X20X1.2 (Ref # 92022) | 92022-104 | 1 |
| WASHER,4X12X1 (Ref # 92022A) | 92022-1245 | 1 |
| COLLAR,6.8X10X17.6 (Ref # 92027) | 92027-1316 | 1 |
| BULB,12V 32CP(23W) (Ref # 92069) | 92069-055 | 1 |
| BULB,12V 27/8W (Ref # 92069A) | 92069-059 | 1 |
| BULB,12V 8W (Ref # 92069B) | 92069-1012 | 1 |
| DAMPER,TAIL LAMP (Ref # 92075) | 92075-1111 | 1 |
| DAMPER,TAIL LAMP (Ref # 92075A) | 92075-1367 | 1 |
| DAMPER,TAIL LAMP COVER (Ref # 92075B) | 92075-1471 | 1 |
| SCREW-PAN-CROS (Ref # 220) | 220B0445 | 1 |
| SCREW-PAN-CROS (Ref # 220A) | 220B0460 | 1 |
| SCREW-PAN-WS-CROS (Ref # 223) | 223B0412 | 1 |