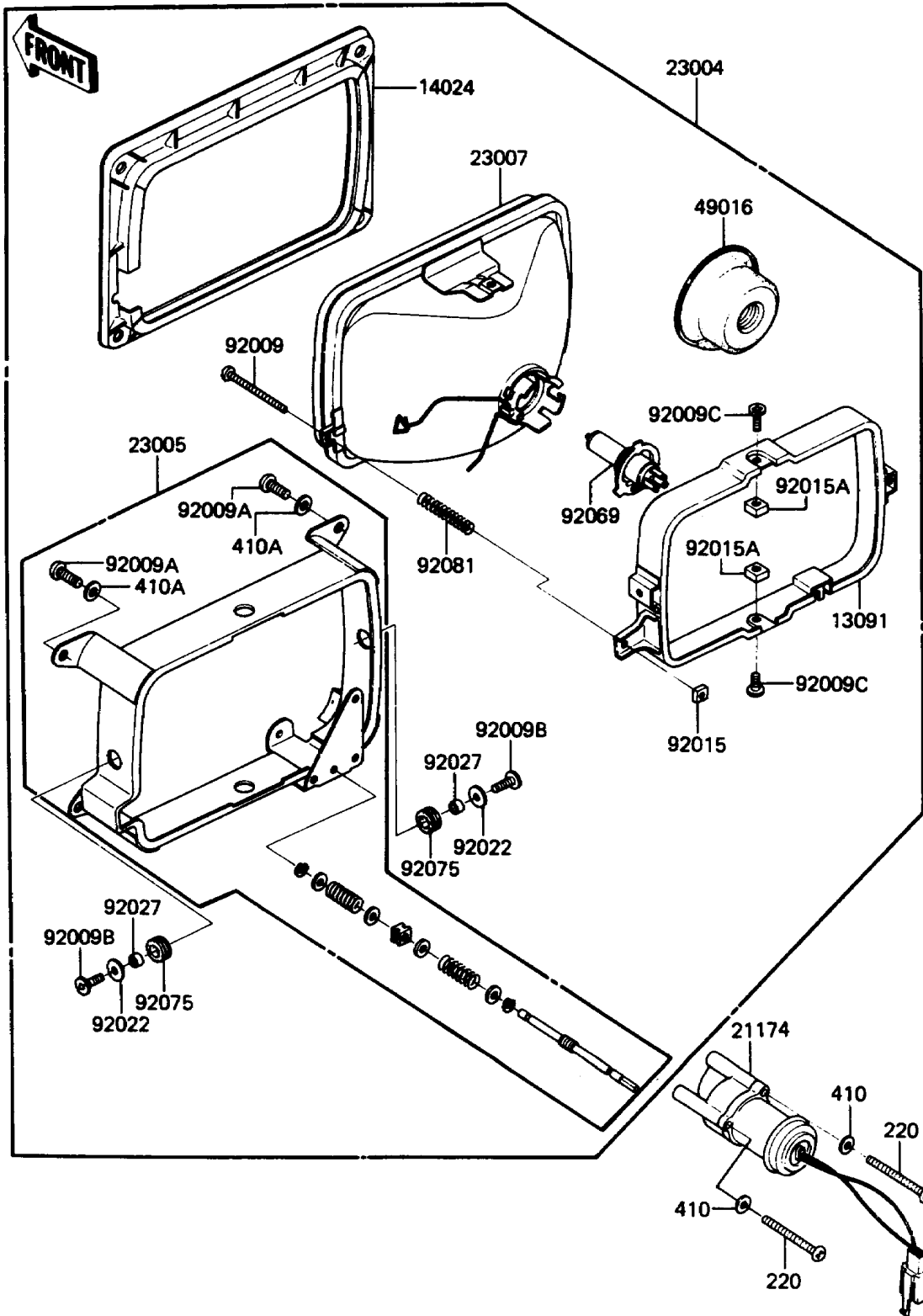


## 1987 Voyager® 1300 PARTS DIAGRAM

Headlight(s)

F2710-0206



## 1987 Voyager® 1300 PARTS LIST

Headlight(s)

ITEM NAME	PART NUMBER	QUANTITY
HOLDER,HEAD LAMP BODY (Ref # 13091)	13091-1187	1
COVER,HEAD LAMP LENS (Ref # 14024)	14025-1678	1
MOTOR-ELECTRIC,FOCUS ADJUSTING (Ref # 21174)	21174-1051	1
LAMP-HEAD (Ref # 23004)	23004-1115	1
BODY-COMP-HEAD LAMP (Ref # 23005)	23005-1031	1
LENS-COMP,HEAD LAMP (Ref # 23007)	23007-1054	1
COVER-SEAL,HEAD LAMP (Ref # 49016)	49016-1046	1
SCREW,4MM,FOCUS ADJUST (Ref # 92009)	92009-1047	1
SCREW,5MM,BLACK (Ref # 92009A)	92009-1157	1
SCREW,5X12 (Ref # 92009B)	92009-1188	1
SCREW,5X8 (Ref # 92009C)	92009-1189	1
NUT,4MM,FOCUS ADJUST (Ref # 92015)	23020-018	1
NUT,5MM (Ref # 92015A)	92015-1253	1
WASHER,5.2X16X1.2 (Ref # 92022)	92022-263	1
COLLAR,WITH SLIT,5.2X8X5 (Ref # 92027)	92027-1583	1
BULB,12V 60/55W,H4 (Ref # 92069)	92069-1002	1
DAMPER,HEAD LAMP HOLDER (Ref # 92075)	92075-1482	1
SPRING,HEAD LAMP LENS (Ref # 92081)	92081-1103	1
SCREW-PAN-CROS (Ref # 220)	220B0445	1
WASHER-PLAIN-SMALL,4MM (Ref # 410)	410B0400	1
WASHER-PLAIN-SMALL,5MM,BLACK (Ref # 410A)	410C0500	1