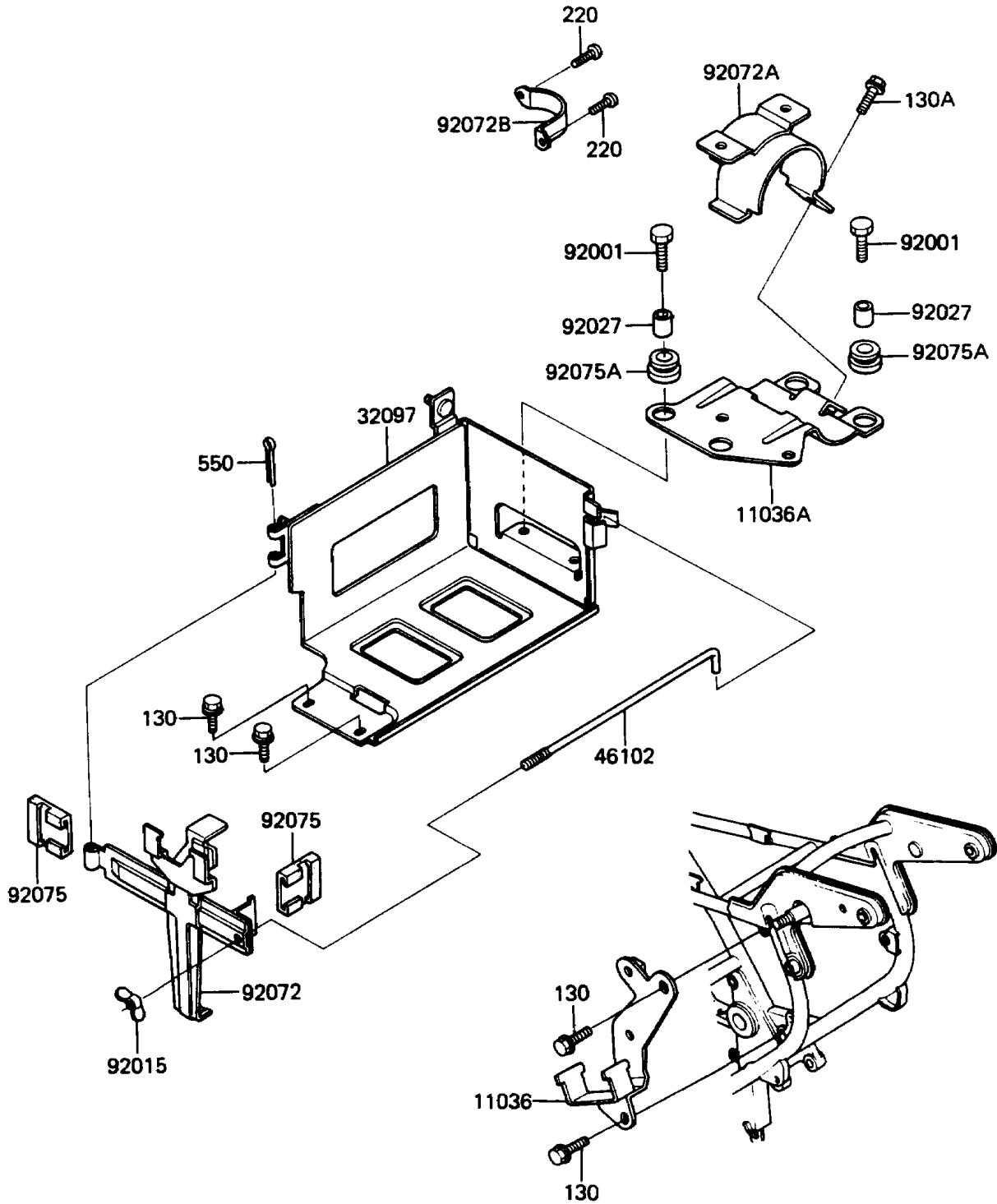


## 1987 Voyager® 1300 PARTS DIAGRAM

Battery Case

F2132-0112



## 1987 Voyager® 1300 PARTS LIST

Battery Case

ITEM NAME	PART NUMBER	QUANTITY
BRACKET-A,REGULATOR (Ref # 11036)	11036-1973	1
BRACKET-A,FUEL PUMP (Ref # 11036A)	11036-1974	1
CASE-BATTERY (Ref # 32097)	32097-1066	1
ROD (Ref # 46102)	46102-1065	1
BOLT,6X20 (Ref # 92001)	92001-1773	1
NUT,6MM (Ref # 92015)	92016-062	1
COLLAR,6.8X10X10.5 (Ref # 92027)	92027-120	1
BAND,BATTERY (Ref # 92072)	92072-1098	1
BAND,FUEL PUMP (Ref # 92072A)	92072-1099	1
BAND,FILTER (Ref # 92072B)	92072-1100	1
DAMPER,BATTERY BAND (Ref # 92075)	92075-1476	1
DAMPER (Ref # 92075A)	92075-277	1
BOLT-FLANGED,6X10,BLACK (Ref # 130)	130C0610	1
BOLT-FLANGED,6X12 (Ref # 130A)	130C0612	1
SCREW-PAN-CROS (Ref # 220)	220B0410	1
PIN-COTTER,4.0X35 (Ref # 550)	550D4035	1