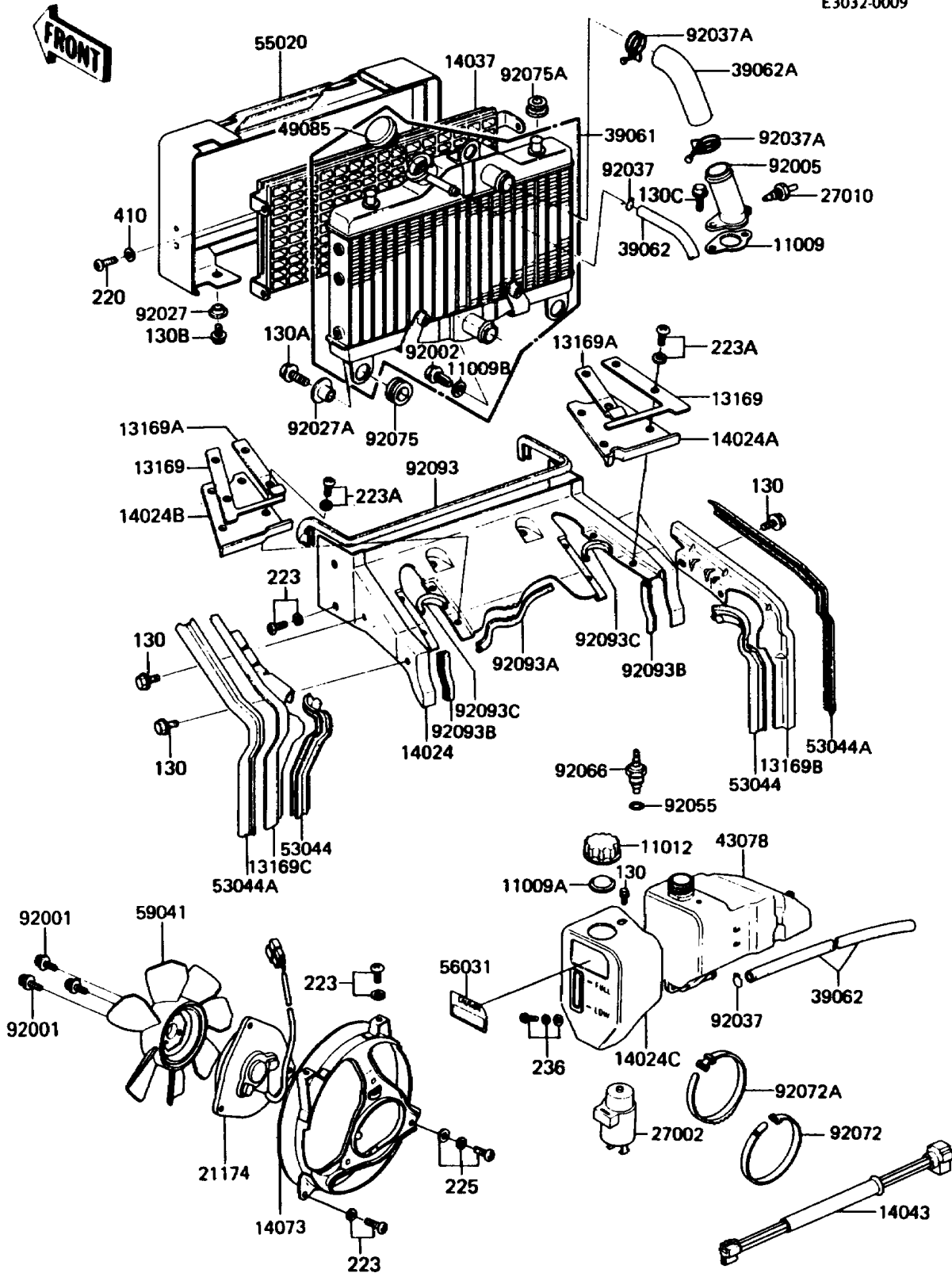


1987 Voyager® 1300 PARTS DIAGRAM

Radiator

E3032-0009



1987 Voyager® 1300 PARTS LIST

Radiator

ITEM NAME	PART NUMBER	QUANTITY
GASKET,HOSE FITTING (Ref # 11009)	11009-1100	1
GASKET,RESERVOIR TANK CAP (Ref # 11009A)	11009-1145	1
GASKET,DRAIN BOLT (Ref # 11009B)	11009-1152	1
CAP (Ref # 11012)	11012-1084	1
PLATE,RADIATOR OUTSIDE (Ref # 13169)	13169-1714	1
PLATE,RADIATOR INSIDE (Ref # 13169A)	13169-1715	1
PLATE,RADIATOR COVER,RH (Ref # 13169B)	13169-1740	1
PLATE,RADIATOR COVER,LH (Ref # 13169C)	13169-1741	1
COVER,RADIATOR (Ref # 14024)	14025-1665	1
COVER,RH (Ref # 14024A)	14025-1666	1
COVER,LH (Ref # 14024B)	14025-1667	1
COVER,RESERVOIR TANK (Ref # 14024C)	14025-1681	1
SCREEN,RADIATOR (Ref # 14037)	14037-1009	1
FILTER,AUDIO-NOISE (Ref # 14043)	14043-1053	1
SHROUD,FAN (Ref # 14073)	14073-1100	1
MOTOR-ELECTRIC,FAN (Ref # 21174)	21174-1052	1
RELAY-ASSY (Ref # 27002)	27002-1051	1
SWITCH,FAN (Ref # 27010)	27010-1026	1
RADIATOR-ASSY (Ref # 39061)	39061-1017	1
HOSE-COOLING,7X12X1200 (Ref # 39062)	39062-1003	1
HOSE-COOLING,UPP (Ref # 39062A)	39062-1019	1
RESERVOIR,TANK (Ref # 43078)	43078-1007	1
CAP-ASSY-PRESSURE,RADIATOR (Ref # 49085)	49085-1051	1
TRIM,L=317 (Ref # 53044)	53044-1114	1
TRIM,RADIATER PLATE,OUTER (Ref # 53044A)	53044-1115	1
GUARD,RADIATOR (Ref # 55020)	55020-1102	1
LABEL-MANUAL,RESERVOIR TANK (Ref # 56031)	56031-1221	1
FAN,COOLING (Ref # 59041)	59041-1051	1
BOLT (Ref # 92001)	92001-1902	1

1987 Voyager® 1300 PARTS LIST

Radiator

ITEM NAME	PART NUMBER	QUANTITY
BOLT,RADIATOR DRAIN (Ref # 92002)	92002-1682	1
FITTING,UPPER HOSE (Ref # 92005)	92005-1012	1
COLLAR,RADIATOR GUARD (Ref # 92027)	92027-1577	1
COLLAR,RADIATOR (Ref # 92027A)	92027-1699	1
CLAMP,HOSE (Ref # 92037)	92037-1104	1
CLAMP,HOSE (Ref # 92037A)	92037-1177	1
RING-O,13.5MM (Ref # 92055)	92055-073	1
SENDER,WATER TEMPERATURE (Ref # 92066)	92066-1028	1
BAND,L=123 (Ref # 92072)	92072-030	1
BAND,L=186 (Ref # 92072A)	92072-056	1
DAMPER,RADIATOR (Ref # 92075)	92075-1127	1
DAMPER,RADIATOR GUARD (Ref # 92075A)	92075-1469	1
SEAL,RADIATOR,L=940 (Ref # 92093)	92093-1089	1
SEAL,RADIATOR,L=220 (Ref # 92093A)	92093-1090	1
SEAL,RADIATOR,L=55 (Ref # 92093B)	92093-1091	1
SEAL,RADIATOR,L=80 (Ref # 92093C)	92093-1092	1
BOLT-FLANGED,6X10,BLACK (Ref # 130)	130C0610	1
BOLT-FLANGED,8X25,BLACK (Ref # 130A)	130C0825	1
BOLT-FLANGED,6X12 (Ref # 130B)	130N0612	1
BOLT-FLANGED (Ref # 130C)	130X0625	1
SCREW-PAN-CROS,6X12 (Ref # 220)	220B0612	1
SCREW-PAN-WS-CROS (Ref # 223)	223B0610	1
SCREW-PAN-WS-CROS (Ref # 223A)	223C0614	1
SCREW-PAN-WSP-CROS (Ref # 225)	225B0510	1
SCREW-PAN-WSP-CROS (Ref # 236)	236D0616	1
WASHER-PLAIN-SMALL,6MM (Ref # 410)	410B0600	1