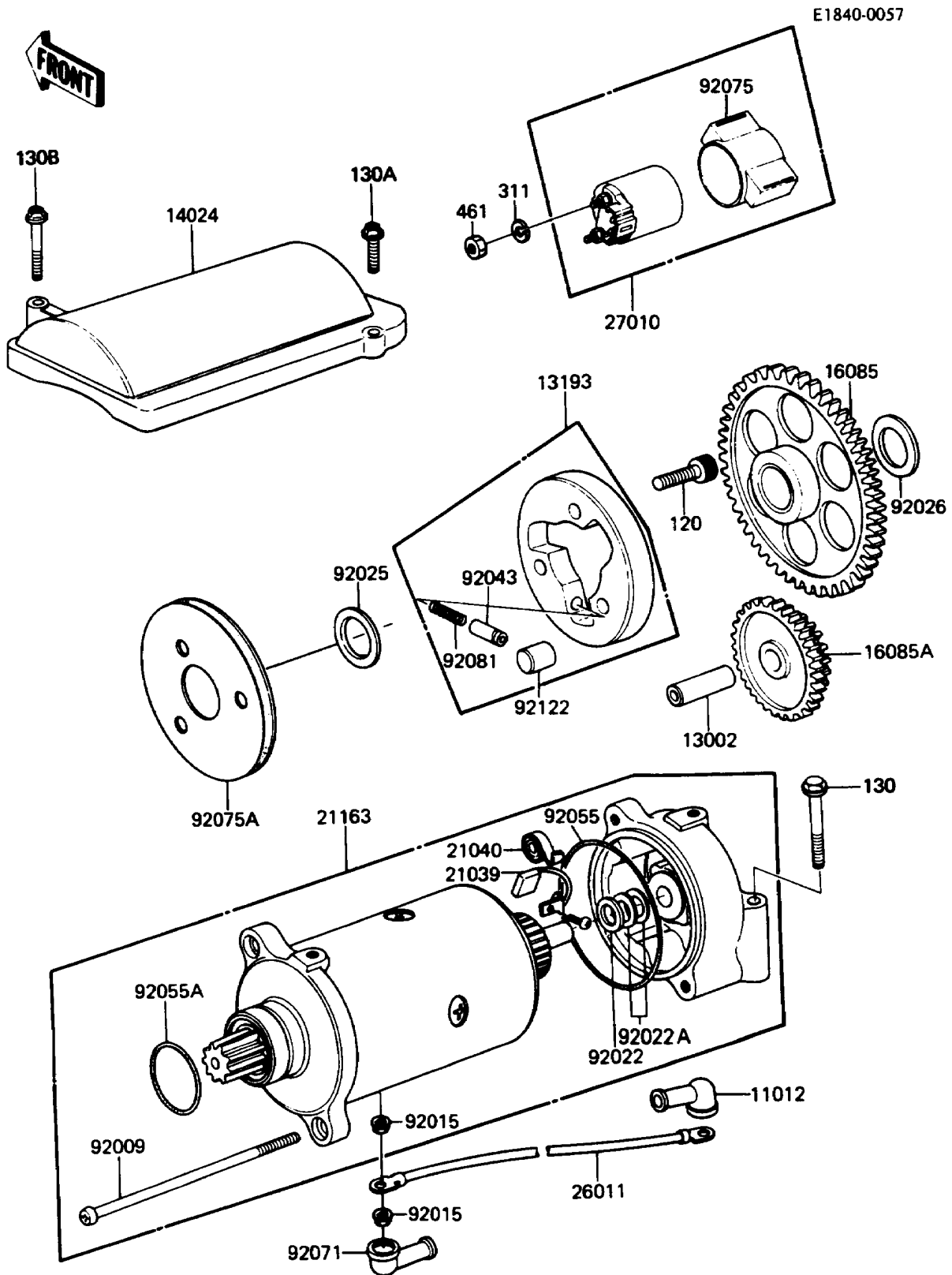


1987 Voyager® 1300 PARTS DIAGRAM

Starter Motor



1987 Voyager® 1300 PARTS LIST

Starter Motor

ITEM NAME	PART NUMBER	QUANTITY
CAP,TERMINAL (Ref # 11012)	11012-1354	1
PIN-PISTON (Ref # 13002)	13002-019	1
CLUTCH-ASSY-ONEWAY (Ref # 13193)	13193-1012	1
COVER,STARTER MOTOR (Ref # 14024)	14025-1752	1
GEAR,STARTER CLUTCH,66T (Ref # 16085)	16085-1040	1
GEAR,STARTER REDUCTION,65TX16T (Ref # 16085A)	16085-1041	1
BRUSH,CARBON (Ref # 21039)	21039-003	1
SPRING-BRUSH (Ref # 21040)	21040-003	1
STARTER-ELECTRIC (Ref # 21163)	21163-1059	1
WIRE-LEAD,STARTER MOTOR (Ref # 26011)	26011-1263	1
SWITCH,MAGNETIC (Ref # 27010)	27010-1098	1
SCREW,PAN HEAD,5X110 (Ref # 92009)	21015-005	1
NUT,FLANGED,6MM (Ref # 92015)	92015-1195	1
WASHER,THRUST,T=1.6 (Ref # 92022)	21025-010	1
WASHER,9.1X18X0.2 (Ref # 92022A)	21025-011	1
SHIM,25.3X36X0.30 (Ref # 92025)	92025-1019	1
SPACER,25.0X34X2.3 (Ref # 92026)	92026-1059	1
PIN (Ref # 92043)	92043-087	1
RING-O,STARTER MOTOR (Ref # 92055)	21027-003	1
RING-O,STARTER MOTOR,25MM (Ref # 92055A)	21027-004	1
GROMMET,STARTER TERMINAL (Ref # 92071)	21017-017	1
DAMPER,MAGNETIC SWITCH (Ref # 92075)	21064-002	1
DAMPER (Ref # 92075A)	92075-1390	1
SPRING (Ref # 92081)	92081-110	1
ROLLER,15X13 (Ref # 92122)	92122-004	1
BOLT-SOCKET,8X25 (Ref # 120)	120P0825	1
BOLT-FLANGED,6X55 (Ref # 130)	130G0655	1
BOLT-FLANGED (Ref # 130A)	130N0625	1
BOLT-FLANGED (Ref # 130B)	130N0640	1

1987 Voyager® 1300 PARTS LIST

Starter Motor

ITEM NAME	PART NUMBER	QUANTITY
NUT-HEX,6MM (Ref # 311)	311B0600	1
WASHER-SPRING,6MM (Ref # 461)	461F0600	1