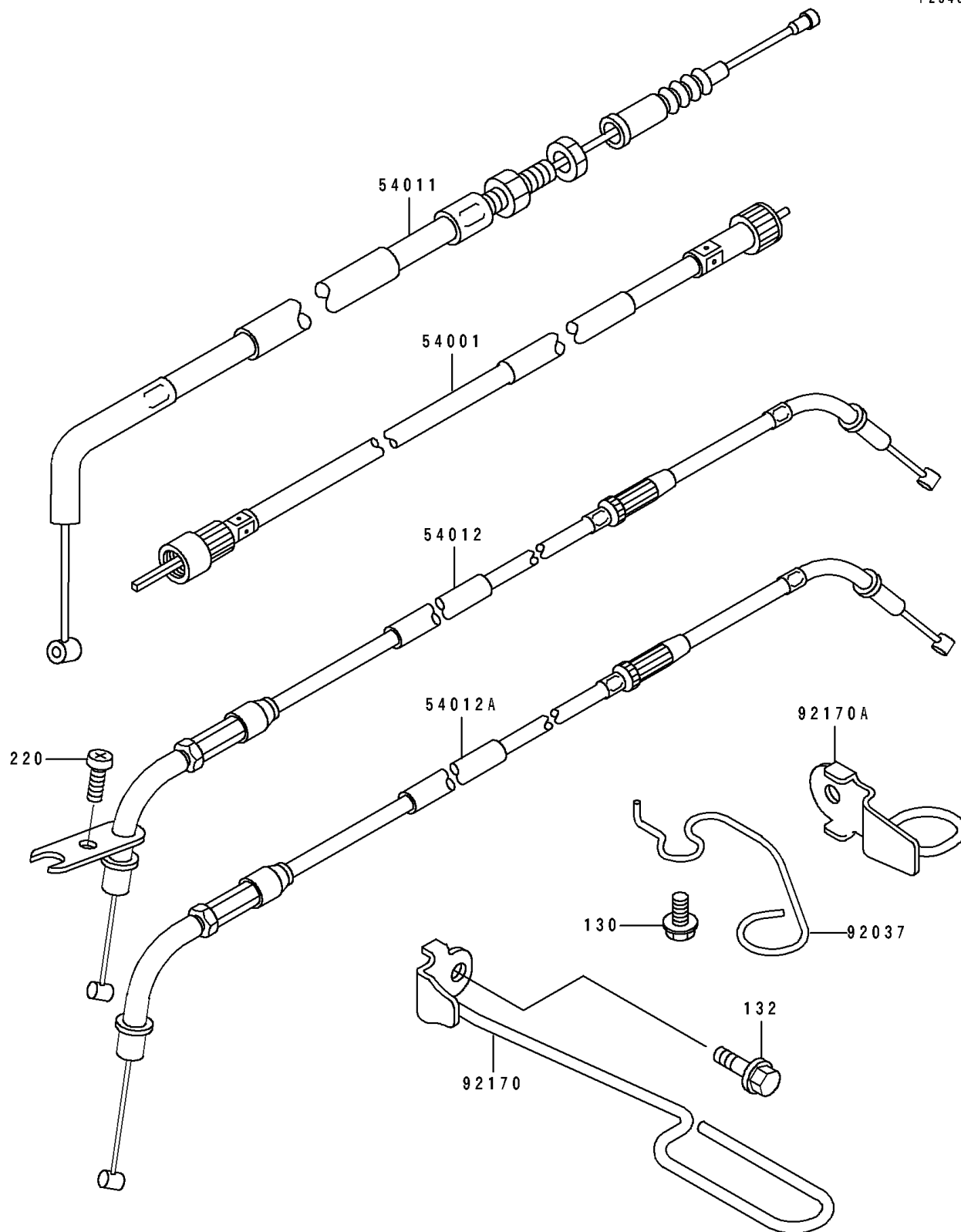


1996 Eliminator® 600 PARTS DIAGRAM

Cables

F2540



1996 Eliminator® 600 PARTS LIST

Cables

ITEM NAME	PART NUMBER	QUANTITY
CABLE-SPEEDOMETER (Ref # 54001)	54001-1143	1
CABLE-CLUTCH (Ref # 54011)	54011-1335	1
CABLE-THROTTLE,OPENING (Ref # 54012)	54012-1490	1
CABLE-THROTTLE,CLOSING (Ref # 54012A)	54012-1491	1
CLAMP,CABLE (Ref # 92037)	92037-1813	1
CLAMP,CABLE (Ref # 92170)	92170-1459	1
CLAMP,CABLE (Ref # 92170A)	92170-1473	1
BOLT-FLANGED,6X12 (Ref # 130)	130H0612	1
BOLT-FLANGED-SMALL (Ref # 132)	132E0610	1
SCREW-PAN-CROS (Ref # 220)	220C0514	1