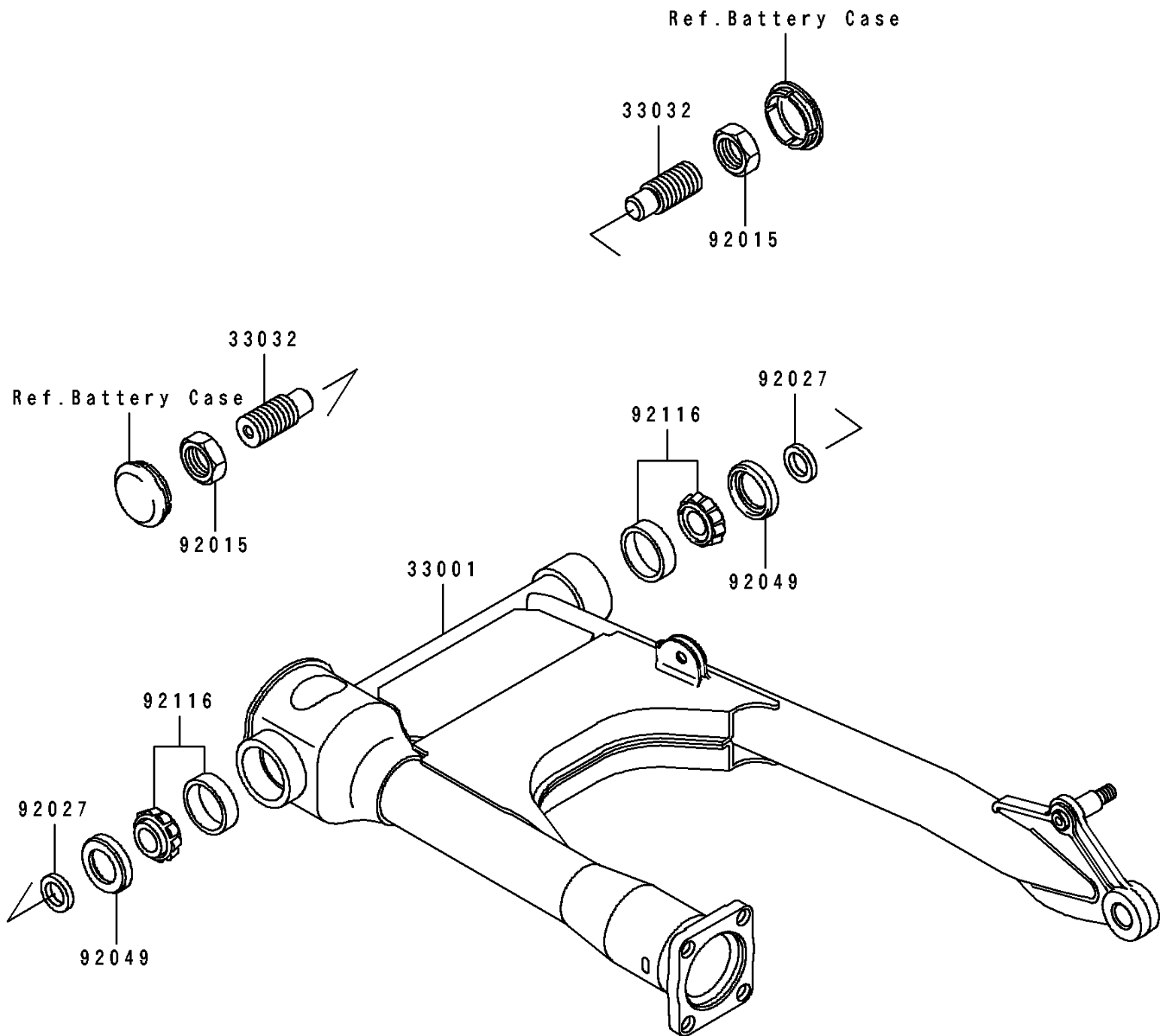


1996 Eliminator® 600 PARTS DIAGRAM

Swingarm

F2141



1996 Eliminator® 600 PARTS LIST

Swingarm

ITEM NAME	PART NUMBER	QUANTITY
ARM-COMP-SWING,M.F.GRAY (Ref # 33001)	33001-1262-2P	1
SHAFT-SWING ARM (Ref # 33032)	33032-1034	1
NUT,22MM (Ref # 92015)	92015-1229	1
COLLAR,17X26X4.5 (Ref # 92027)	92027-1394	1
SEAL-OIL,26406 (Ref # 92049)	92049-1030	1
BEARING-ROLLER,4T30203E1 (Ref # 92116)	92116-1001	1