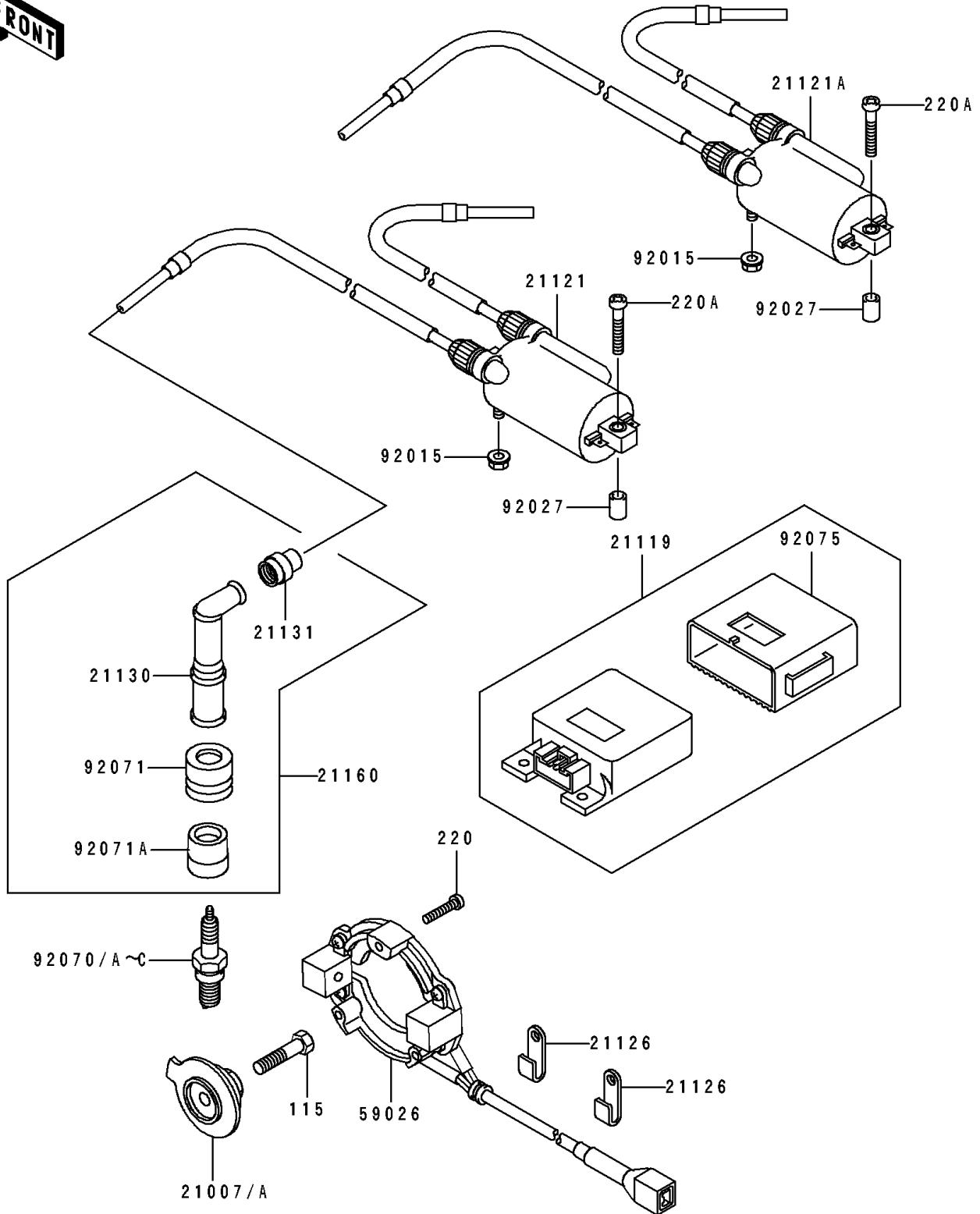


1996 Eliminator® 600 PARTS DIAGRAM

Ignition System

E1830



1996 Eliminator® 600 PARTS LIST

Ignition System

ITEM NAME	PART NUMBER	QUANTITY
ROTOR,PULSING COIL (Ref # 21007)	21007-1130	1
ROTOR,PULSING COIL (Ref # 21007A)	21007-1135	1
IGNITER (Ref # 21119)	21119-1167	1
COIL-IGNITION,#1 (Ref # 21121)	21121-1144	1
COIL-IGNITION,#2 (Ref # 21121A)	21121-1145	1
CLAMP,WIRING HARNESS (Ref # 21126)	21126-008	1
CAP-SPARK PLUG (Ref # 21130)	21130-1068	1
GROMMET,HIGH TENSION (Ref # 21131)	21131-005	1
CAP-ASSY-PLUG (Ref # 21160)	21160-1076	1
COIL-PULSING (Ref # 59026)	59026-1078	1
NUT,FLANGED,6MM (Ref # 92015)	92015-1193	1
COLLAR,6.3X10X14 (Ref # 92027)	92027-1453	1
PLUG-SPARK,D8EA(NGK) (Ref # 92070)	92070-1011	1
PLUG-SPARK,X24ES-U(ND) (Ref # 92070A)		2
PLUG-SPARK,D9EA(NGK) (Ref # 92070B)	92070-1034	1
GROMMET (Ref # 92071)	92071-1174	1
GROMMET,PLUG CAP (Ref # 92071A)	92071-1184	1
DAMPER,IGNITER (Ref # 92075)	92075-1504	1
BOLT-SMALL-UPSET (Ref # 115)	115G0835	1
SCREW-PAN-CROS,5X25 (Ref # 220)	220B0525	1
SCREW-PAN-CROS,6X35 (Ref # 220A)	220B0635	1