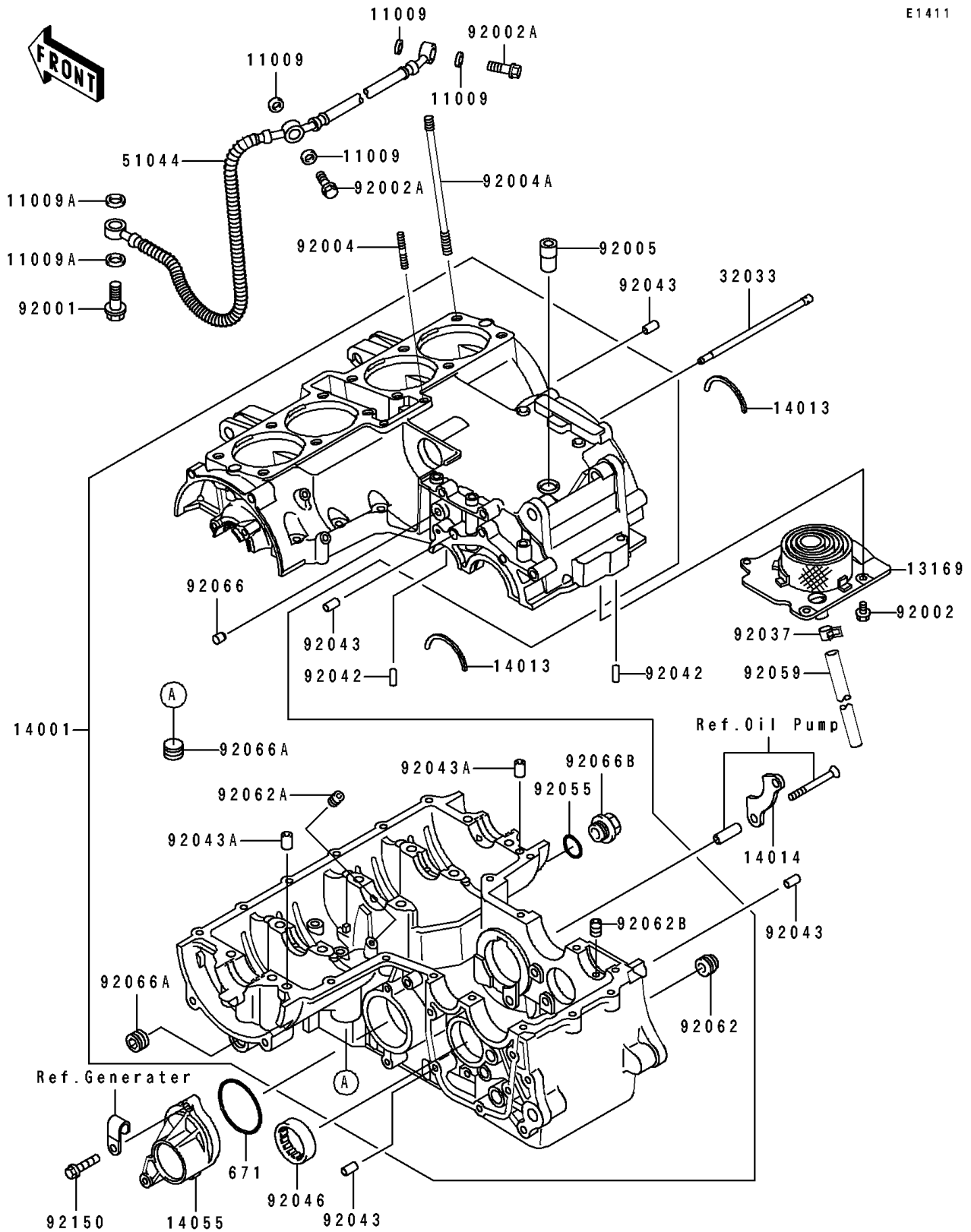


1996 Eliminator® 600 PARTS DIAGRAM

Crankcase

E1411



1996 Eliminator® 600 PARTS LIST

Crankcase

| ITEM NAME | PART NUMBER | QUANTITY |
|--|-------------|----------|
| GASKET,OIL PIPE,8.2X14X1.0 (Ref # 11009) | 11009-1344 | 1 |
| GASKET,12.4X17X1.5 (Ref # 11009A) | 11009-1376 | 1 |
| PLATE,BREATHER (Ref # 13169) | 13169-1966 | 1 |
| SET-CRANKCASE (Ref # 14001) | 14001-5327 | 1 |
| RING-POSITION (Ref # 14013) | 14013-004 | 1 |
| PLATE-POSITION (Ref # 14014) | 14014-1006 | 1 |
| CASE-GEAR (Ref # 14055) | 14055-1116 | 1 |
| PIPE,OIL (Ref # 32033) | 32033-1858 | 1 |
| TUBE-ASSY,OIL (Ref # 51044) | 51044-1168 | 1 |
| BOLT,BANJO,12X23 (Ref # 92001) | 92001-1871 | 1 |
| BOLT,6X10 (Ref # 92002) | 92002-1449 | 1 |
| BOLT,BANJO,8X24 (Ref # 92002A) | 92002-1858 | 1 |
| STUD,6X22 (Ref # 92004) | 92004-059 | 1 |
| STUD,8X128.5 (Ref # 92004A) | 92004-1161 | 1 |
| FITTING,BREATHER (Ref # 92005) | 92005-1129 | 1 |
| CLAMP (Ref # 92037) | 92037-1181 | 1 |
| PIN,DOWEL,6X16 (Ref # 92042) | 92042-016 | 1 |
| PIN,6.2X8X14 (Ref # 92043) | 92043-1263 | 1 |
| PIN,8.2X10X14 (Ref # 92043A) | 92043-1264 | 1 |
| BEARING-NEEDLE,37BTM4312 (Ref # 92046) | 92046-051 | 1 |
| RING-O (Ref # 92055) | 92055-1146 | 1 |
| TUBE (Ref # 92059) | 92059-1544 | 1 |
| NOZZLE (Ref # 92062) | 92062-014 | 1 |
| NOZZLE,6X8,BLACK (Ref # 92062A) | 92062-1079 | 1 |
| NOZZLE,6X8,SILVER (Ref # 92062B) | 92062-1081 | 1 |
| PLUG,OIL LINE,7.2X8 (Ref # 92066) | 92066-1012 | 1 |
| PLUG (Ref # 92066A) | 92066-1252 | 1 |
| PLUG (Ref # 92066B) | 92066-1394 | 1 |
| BOLT,6X25 (Ref # 92150) | 92150-1779 | 1 |

1996 Eliminator® 600 PARTS LIST

Crankcase

| ITEM NAME | PART NUMBER | QUANTITY |
|-------------------------|-------------|----------|
| O RING,55MM (Ref # 671) | 671B2555 | 1 |