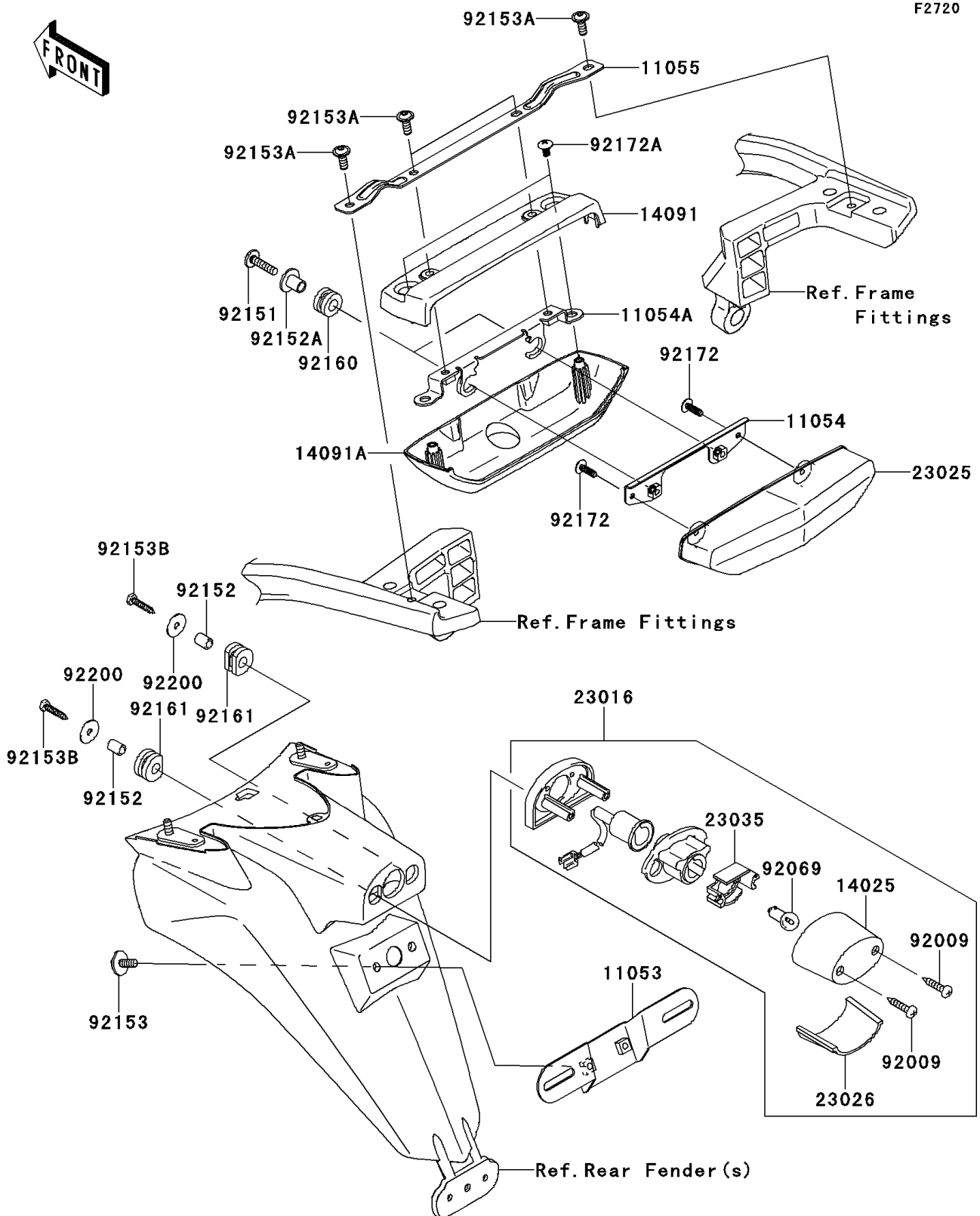


2008 Concours® 14 ABS PARTS DIAGRAM

Taillight(s)



2008 Concours® 14 ABS PARTS LIST

Taillight(s)

| ITEM NAME | PART NUMBER | QUANTITY |
|---------------------------------------|-------------|----------|
| BRACKET,LICENSE (Ref # 11053) | 11053-0400 | 1 |
| BRACKET,TAIL LAMP (Ref # 11054) | 11054-0883 | 1 |
| BRACKET (Ref # 11054A) | 11054-1199 | 1 |
| BRACKET,TAIL LAMP COVER (Ref # 11055) | 11055-0323 | 1 |
| COVER,LICENSE LAMP (Ref # 14025) | 14025-1725 | 1 |
| COVER,TAIL LAMP,UPP (Ref # 14091) | 14091-0894 | 1 |
| COVER,TAIL LAMP,LWR (Ref # 14091A) | 14091-0895 | 1 |
| LAMP-ASSY,LICENSE (Ref # 23016) | 23016-1200 | 1 |
| LAMP-TAIL (Ref # 23025) | 23025-0035 | 1 |
| LENS,LICENSE LAMP (Ref # 23026) | 23026-1064 | 1 |
| REFLECTOR-LAMP,LICENSE (Ref # 23035) | 23035-1066 | 1 |
| SCREW,TAPPING,4X20 (Ref # 92009) | 92009-1378 | 1 |
| BULB,12V 5W (Ref # 92069) | 92069-1055 | 1 |
| BOLT,SOCKET,6X25 (Ref # 92151) | 92151-1611 | 1 |
| COLLAR,6X9X11.5 (Ref # 92152) | 92152-0372 | 1 |
| COLLAR (Ref # 92152A) | 92152-0666 | 1 |
| BOLT,6X16 (Ref # 92153) | 92153-0684 | 1 |
| BOLT,SOCKET,6X16 (Ref # 92153A) | 92153-0817 | 1 |
| BOLT,TAPPING,5X25 (Ref # 92153B) | 92153-1424 | 1 |
| DAMPER (Ref # 92160) | 92160-1167 | 1 |
| DAMPER (Ref # 92161) | 92161-1313 | 1 |
| SCREW,TAPPING,5X16 (Ref # 92172) | 92172-0175 | 1 |
| SCREW,TAPPING,5X10 (Ref # 92172A) | 92172-1061 | 1 |
| WASHER,5.5X20X1.2 (Ref # 92200) | 92200-0284 | 1 |