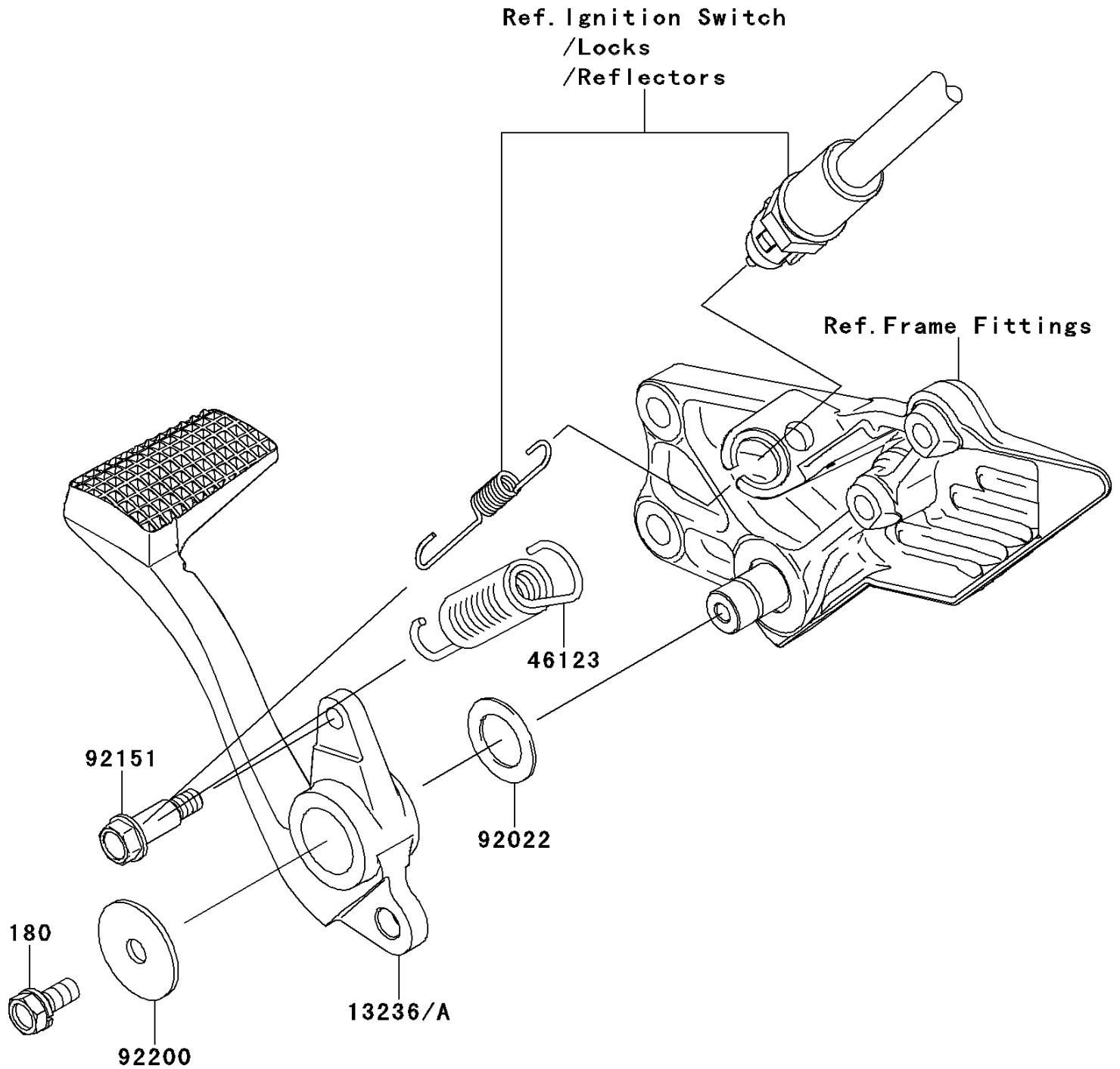


2008 Concours® 14 ABS PARTS DIAGRAM

Brake Pedal/Torque Link

F2260



2008 Concours® 14 ABS PARTS LIST

Brake Pedal/Torque Link

| ITEM NAME | PART NUMBER | QUANTITY |
|--|-------------|----------|
| BOLT-UPSET-WS,6X14 (Ref # 180) | 180BA0614 | 1 |
| LEVER-COMP,BRAKE PEDAL (Ref # 13236) | 13236-0121 | 1 |
| SPRING-COMP,BRAKE PEDAL RETURN (Ref # 46123) | 46123-0006 | 1 |
| WASHER,15.3X24X1 (Ref # 92022) | 92022-326 | 1 |
| BOLT,6MM (Ref # 92151) | 92151-1295 | 1 |
| WASHER,7X28X1.6 (Ref # 92200) | 92200-0279 | 1 |