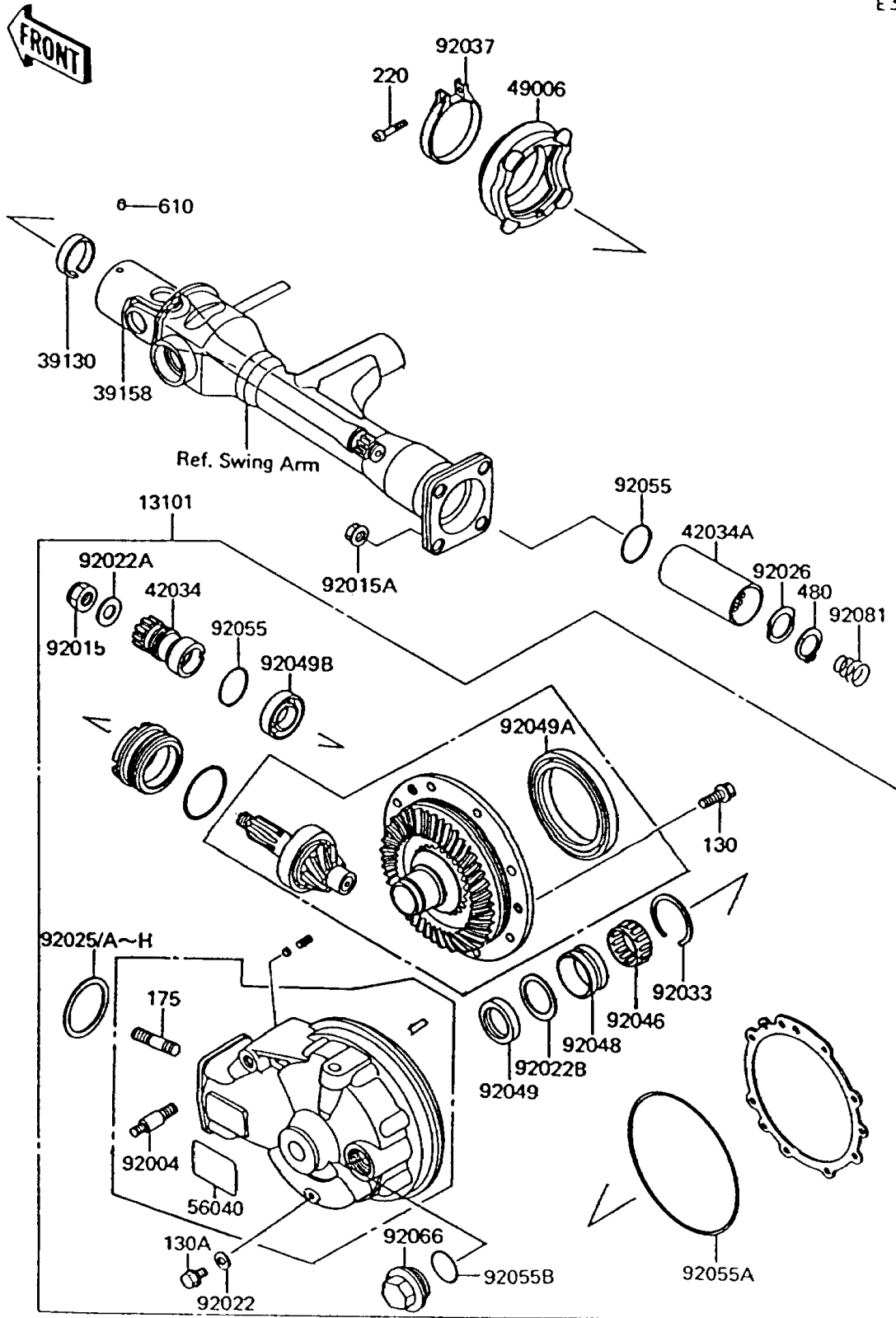


1992 Voyager® XII PARTS DIAGRAM

Drive Shaft/Final Gear

E3132



1992 Voyager® XII PARTS LIST

Drive Shaft/Final Gear

ITEM NAME	PART NUMBER	QUANTITY
BOLT-FLANGED (Ref # 130)	130P0825	1
BOLT-FLANGED (Ref # 130A)	130X0812	1
BOLT-STUD-FINE (Ref # 175)	175G1025	1
SCREW-PAN-CROS (Ref # 220)	220B0430	1
GEAR-ASSY,M.SILVER (Ref # 13101)	13101-1156-7J	1
SPRING-LEAF (Ref # 39130)	39130-1002	1
SHAFT-ASSY-DRIVE (Ref # 39158)	39158-1058	1
COUPLING (Ref # 42034)	42034-1085	1
COUPLING,PROPELLER SHAFT,OUTER (Ref # 42034A)	42034-1092	1
BOOT (Ref # 49006)	49006-1188	1
LABEL-WARNING,OIL (Ref # 56040)	56040-1230	1
STUD,RR SHOCKABSORBER (Ref # 92004)	92004-1047	1
NUT,16MM (Ref # 92015)	92015-1059	1
NUT,FLANGED,10MM (Ref # 92015A)	92015-1180	1
WASHER,8.2X16X1 (Ref # 92022)	92022-1086	1
WASHER,16X32X3.2 (Ref # 92022A)	92022-1105	1
WASHER,39X49.5X1 (Ref # 92022B)	92022-1294	1
SHIM,T=0.10 (Ref # 92025)	92025-1733	1
SHIM,T=0.15 (Ref # 92025A)	92025-1734	1
SHIM,T=0.50 (Ref # 92025B)	92025-1735	1
SHIM,T=0.60 (Ref # 92025C)	92025-1736	1
SHIM,T=0.70 (Ref # 92025D)	92025-1737	1
SHIM,T=0.80 (Ref # 92025E)	92025-1738	1
SHIM,T=0.90 (Ref # 92025F)	92025-1739	1
SHIM,T=1.00 (Ref # 92025G)	92025-1740	1
SHIM,T=1.20 (Ref # 92025H)	92025-1741	1
SPACER,PROPELLER SHAFT (Ref # 92026)	92026-1085	1
RING-SNAP,52MM (Ref # 92033)	92033-1074	1
CLAMP,BOOT FITTING (Ref # 92037)	92037-1112	1

1992 Voyager® XII PARTS LIST

Drive Shaft/Final Gear

ITEM NAME	PART NUMBER	QUANTITY
BEARING-NEEDLE,KTV384620E01 C3 (Ref # 92046)	92046-1057	1
RACE,ORT465021E01 (Ref # 92048)	92048-1019	1
SEAL-OIL,S-35477HS (Ref # 92049)	92049-1025	1
SEAL-OIL,S-831009HS (Ref # 92049A)	92049-1034	1
SEAL-OIL (Ref # 92049B)	92049-1248	1
RING-O,ID=32.7 (Ref # 92055)	92055-1037	1
RING-O,ID=150.4 (Ref # 92055A)	92055-1039	1
RING-O,35.8MM (Ref # 92055B)	92055-1281	1
PLUG,OIL FILLER CAP,M.SILVER (Ref # 92066)	92066-1006-7J	1
SPRING,PROPELLER SHAFT (Ref # 92081)	92081-1183	1
CIRCLIP-TYPE-C,26MM (Ref # 480)	480J2600	1
ROLLER,4X6 (Ref # 610)	610A0406	1