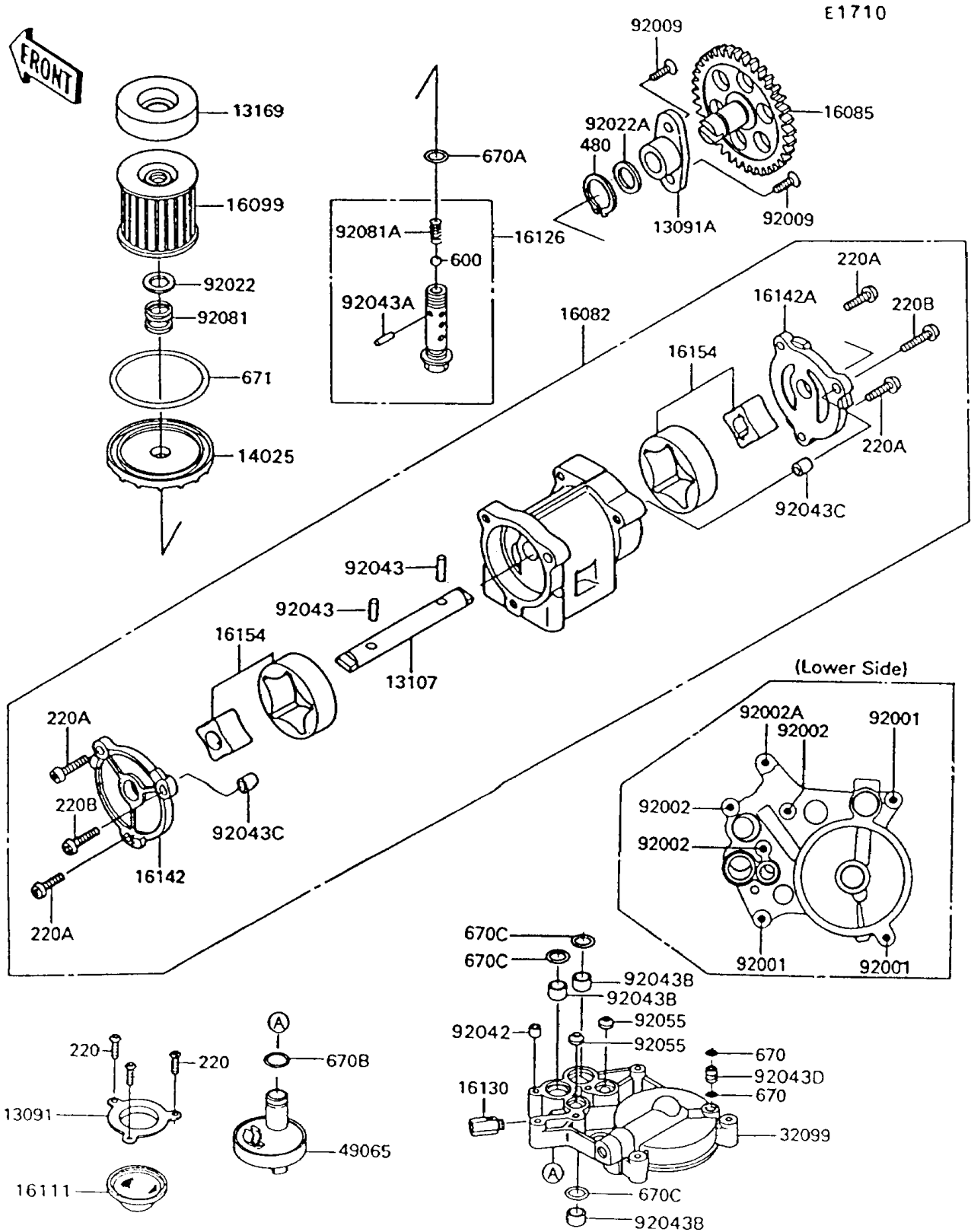


1992 Voyager® XII PARTS DIAGRAM

Oil Pump/Oil Filter



1992 Voyager® XII PARTS LIST

Oil Pump/Oil Filter

ITEM NAME	PART NUMBER	QUANTITY
SCREW-PAN-CROS,6X12 (Ref # 220)	220B0612	1
SCREW-PAN-CROS,6X18 (Ref # 220A)	220B0618	1
SCREW-PAN-CROS,6X25 (Ref # 220B)	220B0625	1
CIRCLIP-TYPE-C,14MM (Ref # 480)	480J1400	1
BALL-STEEL,3/8" (Ref # 600)	600A1200	1
O RING,5MM (Ref # 670)	670B1505	1
O RING,16MM (Ref # 670A)	670B2016	1
O RING,18MM (Ref # 670B)	670B2018	1
O RING,20MM (Ref # 670C)	670D2020	1
HOLDER,OIL FILTER (Ref # 13091)	13091-1274	1
HOLDER,PUMP GEAR (Ref # 13091A)	13091-1333	1
SHAFT (Ref # 13107)	13107-1191	1
PLATE,OIL FILTER (Ref # 13169)	13169-1313	1
COVER,OIL FILTER,F.BLACK (Ref # 14025)	14025-1422	1
PUMP-ASSY-OIL (Ref # 16082)	16082-1076	1
GEAR,OIL PUMP,35T (Ref # 16085)	16085-1153	1
ELEMENT-OIL FILTER (Ref # 16099)	16099-003	1
FILTER,OIL (Ref # 16111)	16111-003	1
VALVE,OIL FILTER (Ref # 16126)	16126-1108	1
VALVE-ASSY-RELIEF (Ref # 16130)	16130-1001	1
COVER-PUMP,LH (Ref # 16142)	16142-1070	1
COVER-PUMP,RH (Ref # 16142A)	16142-1071	1
ROTOR-PUMP (Ref # 16154)	16154-1062	1
CASE,OIL FILTER (Ref # 32099)	32099-1082	1
FILTER-OIL (Ref # 49065)	49065-1055	1
BOLT,FLANGED,6X38 (Ref # 92001)	92001-1105	1
BOLT,6X38 (Ref # 92002)	92002-1431	1
BOLT,6X43 (Ref # 92002A)	92002-1881	1
SCREW,6X16 (Ref # 92009)	92009-1360	1

1992 Voyager® XII PARTS LIST

Oil Pump/Oil Filter

ITEM NAME	PART NUMBER	QUANTITY
WASHER,20.5X30X1 (Ref # 92022)	92022-1012	1
WASHER,14X20X1 (Ref # 92022A)	92022-1495	1
PIN,DOWEL,6.3X8X14 (Ref # 92042)	92042-007	1
PIN,DOWEL,5X17.8 (Ref # 92043)	92043-1061	1
PIN,SPRING,2X20 (Ref # 92043A)	92043-111	1
PIN,18X20X12 (Ref # 92043B)	92043-1213	1
PIN,DOWEL,8X10 (Ref # 92043C)	92043-1302	1
PIN (Ref # 92043D)	92043-1304	1
RING-O,19.5MM (Ref # 92055)	92055-077	1
SPRING,OIL FILTER (Ref # 92081)	92081-1018	1
SPRING (Ref # 92081A)	92081-109	1
O RING,90MM (Ref # 671)	671B2590	1