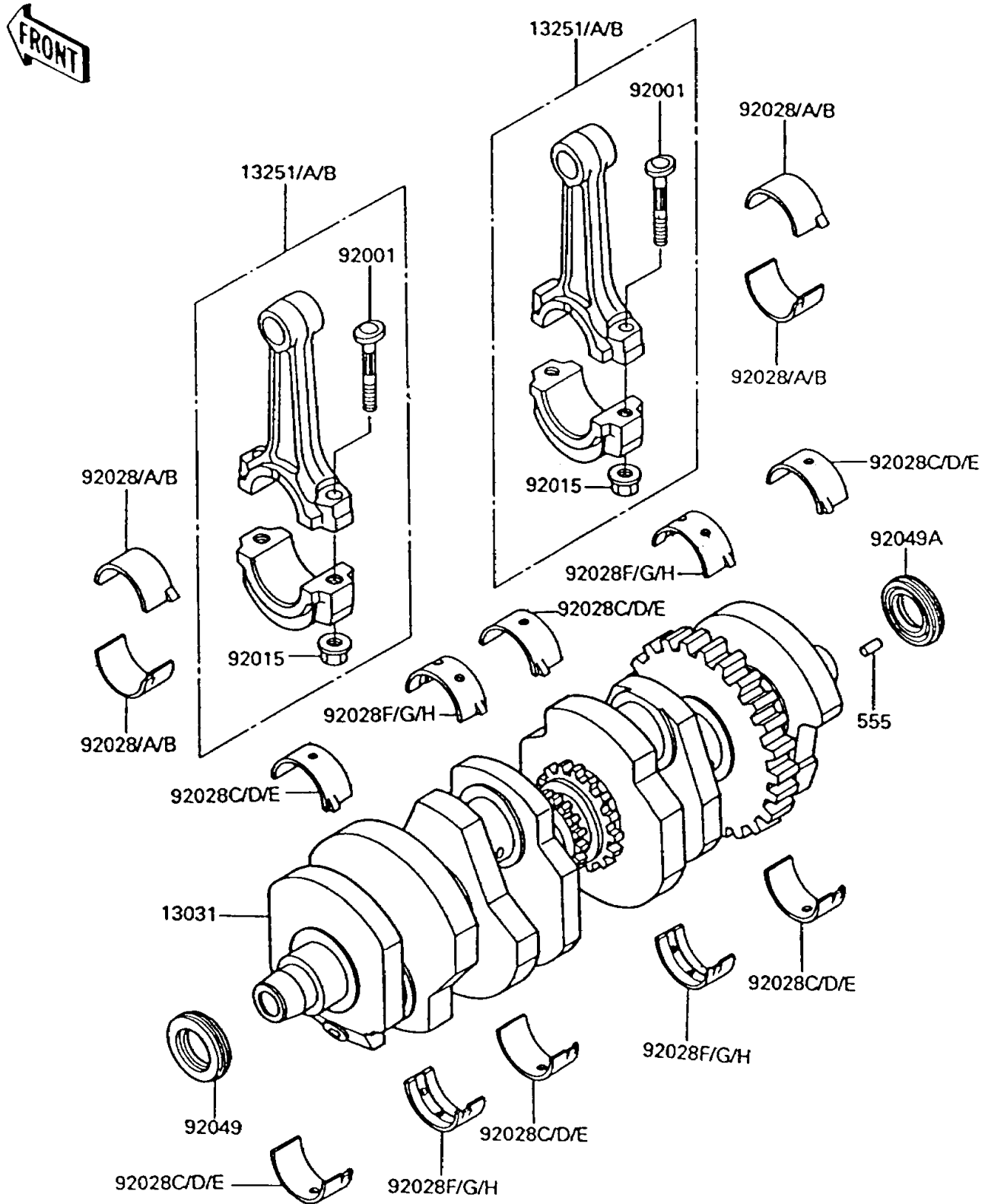


1992 Voyager® XII PARTS DIAGRAM

Crankshaft

E1321



1992 Voyager® XII PARTS LIST

Crankshaft

ITEM NAME	PART NUMBER	QUANTITY
PIN-SPRING,4X8 (Ref # 555)	555A0408	1
CRANKSHAFT-COMP (Ref # 13031)	13031-1338	1
ROD-ASSY-CONNECTING,H (Ref # 13251)	13251-1070-HH	1
ROD-ASSY-CONNECTING,I (Ref # 13251A)	13251-1070-II	1
ROD-ASSY-CONNECTING,J (Ref # 13251B)	13251-1070-JJ	1
BOLT,CONNECTING ROD (Ref # 92001)	92001-1980	1
NUT,FLANGED,8MM (Ref # 92015)	92015-1311	1
BUSHING,CONNECTING ROD,BLUE (Ref # 92028)	92028-1394	1
BUSHING,CONNECTING ROD,BLACK (Ref # 92028A)	92028-1395	1
BUSHING,CONNECTING ROD,BROWN (Ref # 92028B)	92028-1396	1
BUSHING,CRANKSHAFT,BLUE (Ref # 92028C)	92028-1455	1
BUSHING,CRANKSHAFT,BLACK (Ref # 92028D)	92028-1456	1
BUSHING,CRANKSHAFT,BROWN (Ref # 92028E)	92028-1457	1
BUSHING,CRANKSHAFT,BLUE (Ref # 92028F)	92028-1458	1
BUSHING,CRANKSHAFT,BLACK (Ref # 92028G)	92028-1459	1
BUSHING,CRANKSHAFT,BROWN (Ref # 92028H)	92028-1460	1
SEAL-OIL,HSCY28417 (Ref # 92049)	92049-1246	1
SEAL-OIL,HSCY25417 (Ref # 92049A)	92049-1247	1