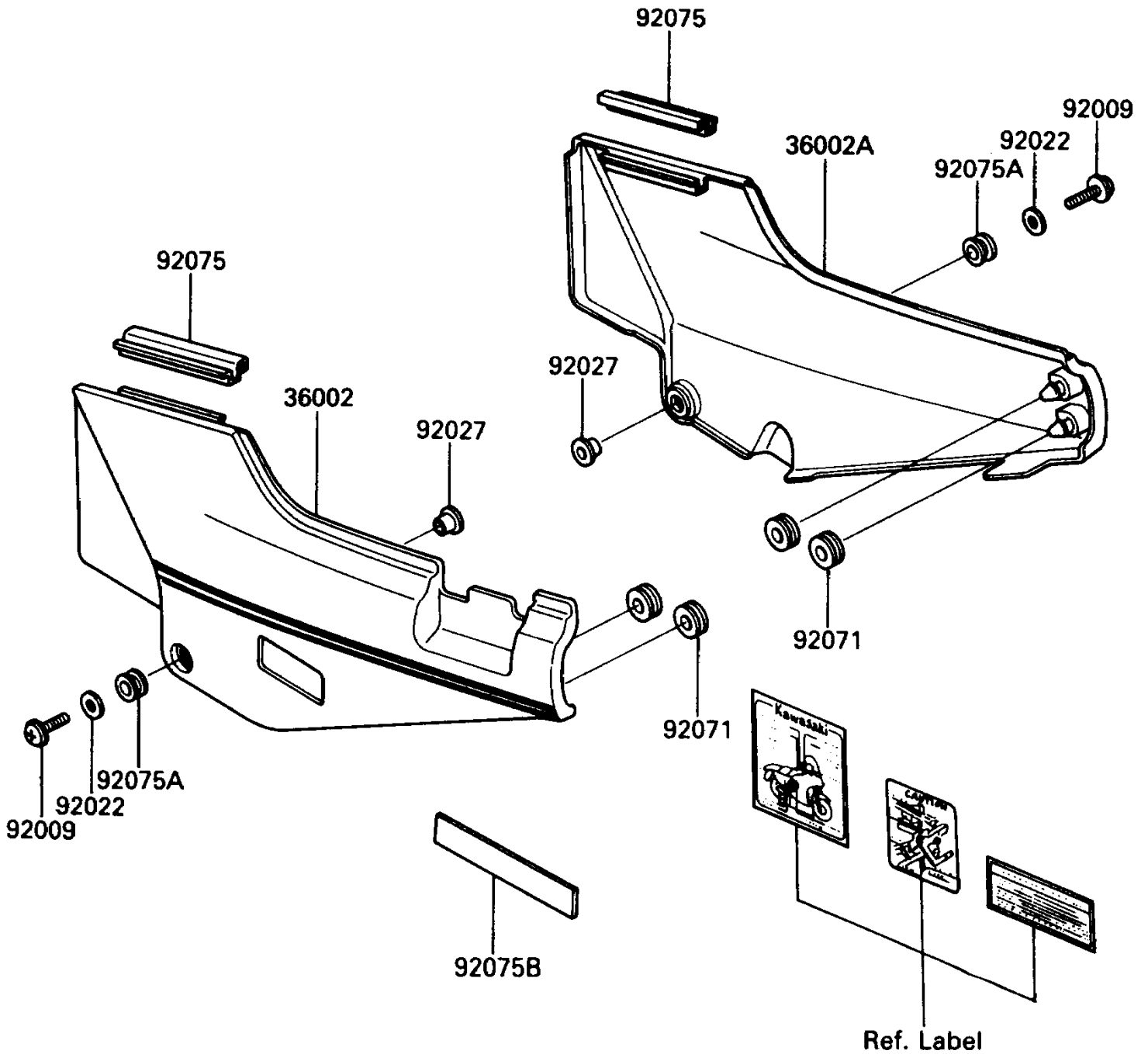


1989 PARTS DIAGRAM

Side Cover

F2610



1989 PARTS LIST

Side Cover

ITEM NAME	PART NUMBER	QUANTITY
COVER-SIDE,LH,RED/BLACK (Ref # 36002)	36002-5483-CR	1
COVER-SIDE,RH,RED/BLACK (Ref # 36002A)	36002-5484-CR	1
SCREW,6X18,BLACK (Ref # 92009)	92009-1181	1
WASHER,6.5X20X1.6,BLACK (Ref # 92022)	92022-1619	1
COLLAR,L=9.1,WHITE (Ref # 92027)	92027-1795	1
GROMMET (Ref # 92071)	92071-056	1
DAMPER,SIDE COVER (Ref # 92075)	92075-1601	1
DAMPER (Ref # 92075A)	92075-1634	1
DAMPER,SIDE COVER (Ref # 92075B)	92075-1854	1