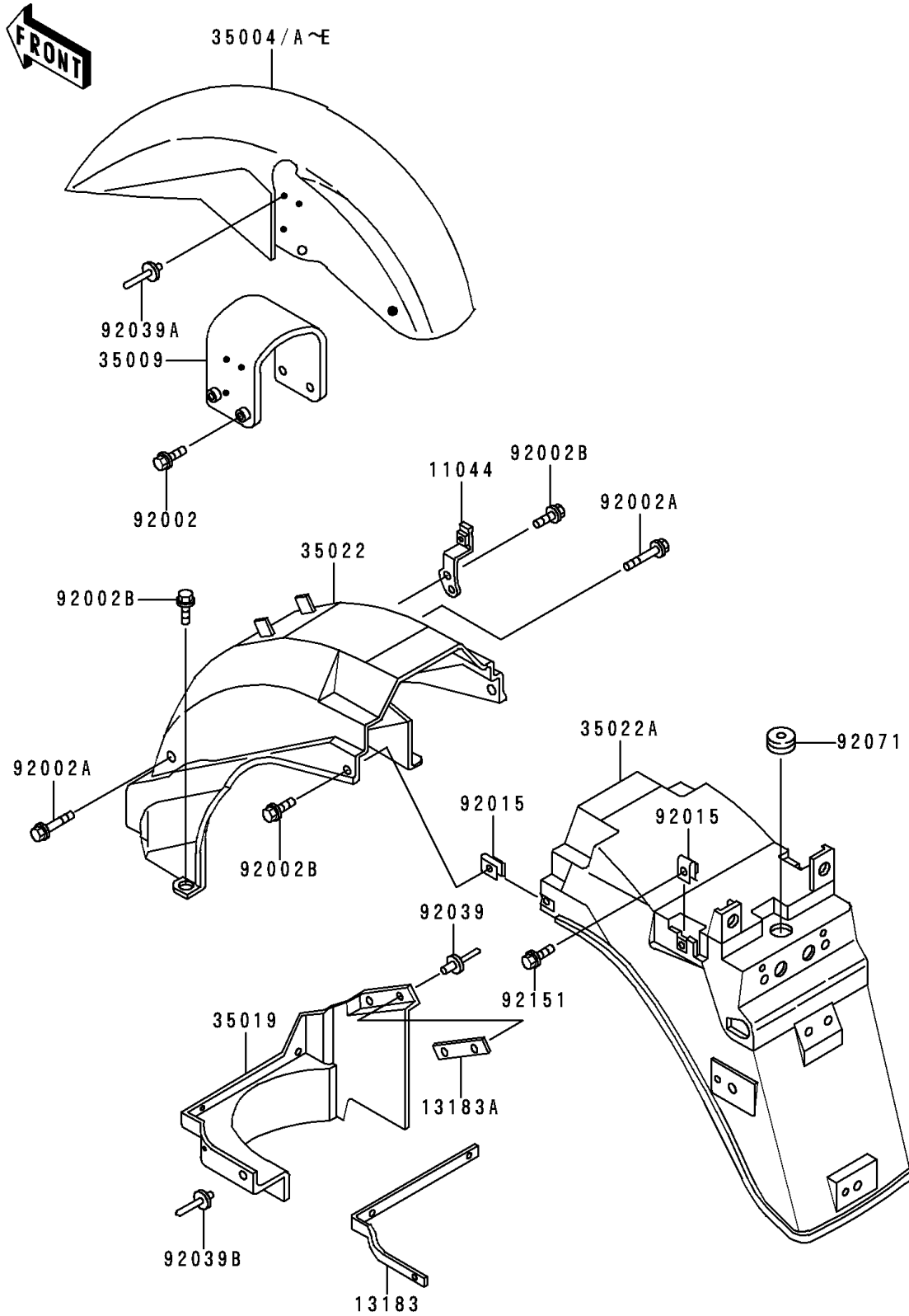


1995 Concours™ PARTS DIAGRAM

Fenders

F2170



1995 Concours™ PARTS LIST

Fenders

ITEM NAME	PART NUMBER	QUANTITY
BRACKET,RR BRAKE RESERVOIR (Ref # 11044)	11044-1782	1
PLATE,REAR FENDER FLAP,LH (Ref # 13183)	13183-1021	1
PLATE,REAR FENDER FLAP,RH (Ref # 13183A)	13183-1022	1
BRACE,FRONT FENDER (Ref # 35009)	35009-1101	1
FLAP,REAR FENDER,FR (Ref # 35019)	35019-1183	1
FENDER-COMP-REAR,FR (Ref # 35022)	35022-1223	1
FENDER-COMP-REAR,RR,BLACK (Ref # 35022A)	35022-1224-6Z	1
BOLT,FLANGED,8X20 (Ref # 92002)	92002-1134	1
BOLT,6X55 (Ref # 92002A)	92002-1707	1
BOLT,6X16 (Ref # 92002B)	92002-1852	1
NUT,6MM (Ref # 92015)	92015-1602	1
RIVET (Ref # 92039)	92039-1147	1
RIVET (Ref # 92039A)	92039-1230	1
RIVET (Ref # 92039B)	92039-1231	1
GROMMET,SENSOR LEAD (Ref # 92071)	92071-1058	1
BOLT (Ref # 92151)	92151-1056	1
FENDER-FRONT,L.V.RED (Ref # 35004A)	35004-1324-P5	1
FENDER-FRONT,L.V.RED (Ref # 35004D)	35004-1324-2T	1