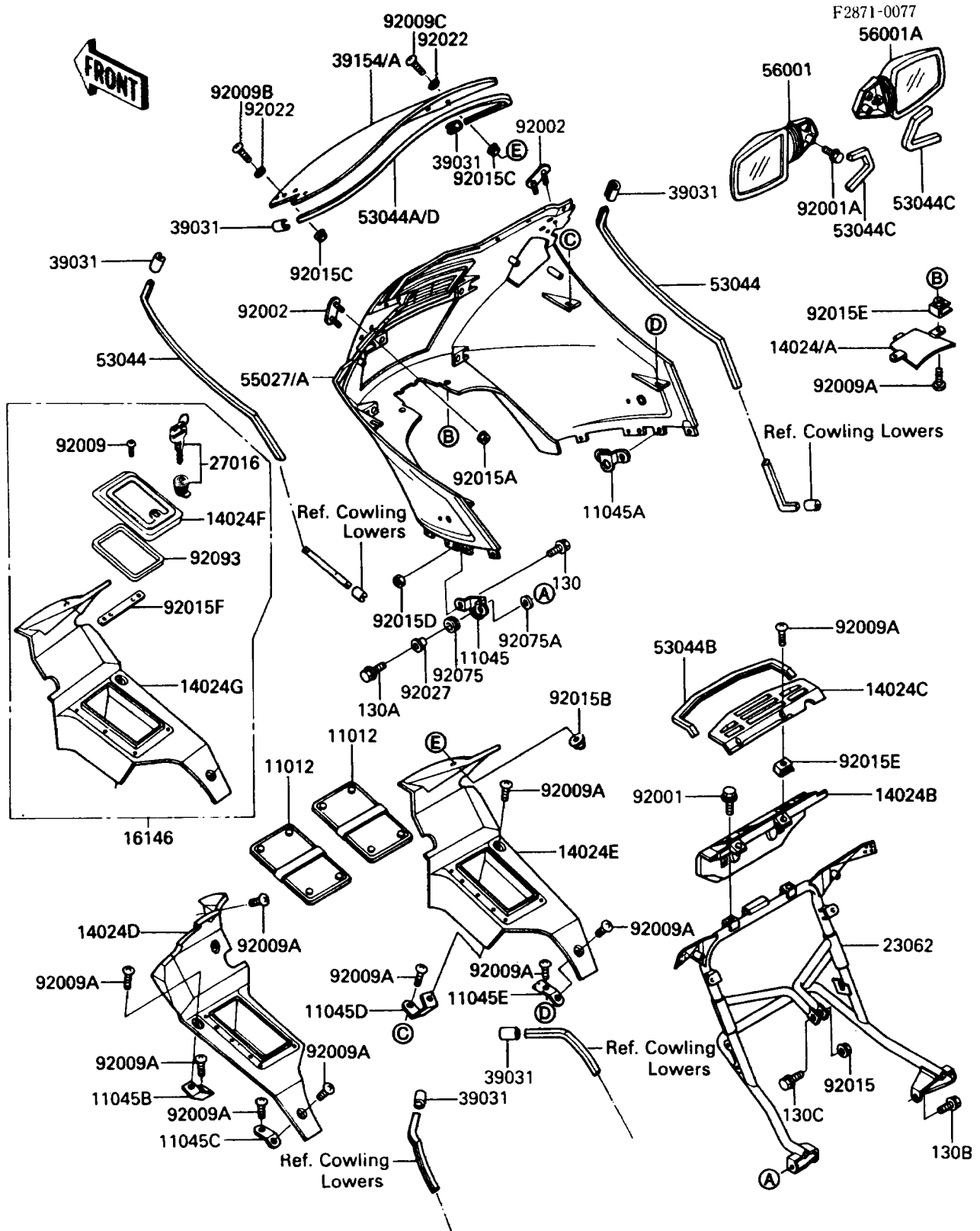


## 1986 Concours™ PARTS DIAGRAM

Cowling(A1)



## 1986 Concours™ PARTS LIST

Cowling(A1)

ITEM NAME	PART NUMBER	QUANTITY
CAP,INNER COWLING (Ref # 11012)	11012-1546	1
BRACKET,UPPER COWLING,LWR,LH (Ref # 11045)	11044-1907	1
BRACKET,UPPER COWLING,LWR,RH (Ref # 11045A)	11044-1908	1
BRACKET,INNER COWLING,FR,LH (Ref # 11045B)	11044-1909	1
BRACKET,INNER COWLING,RR (Ref # 11045C)	11044-1910	1
BRACKET,INNER COWLING,FR,RH (Ref # 11045D)	11044-1922	1
BRACKET,INNER COWLING,RR (Ref # 11045E)	11045-1612	1
COVER,UPPER COWLING,LWR,RED (Ref # 14024)	14024-1252-H3	1
COVER,UPPER COWLING,LWR,GRAY (Ref # 14024A)	14024-1252-T8	1
COVER,HORN,RR (Ref # 14024B)	14024-1255	1
COVER,INNER COWLING,CNT (Ref # 14024C)	14024-1256	1
COVER,INNER COWLING,UPP,LH (Ref # 14024D)	14024-1422	1
COVER,INNER COWLING,UPP,RH (Ref # 14024E)	14024-1423	1
COVER,INNER COWLING COVER,RH (Ref # 14024F)	14024-1472	1
COVER,INNER COWLING,UPP,RH (Ref # 14024G)	14024-1473	1
COVER-ASSY,INNER COWLING,UPP (Ref # 16146)	16146-1083	1
BRACKET-COMP,UPPER COWLING (Ref # 23062)	23062-1063	1
LOCK-ASSY,FAIRING POCKET (Ref # 27016)	27016-1073	1
CAP-END,TRIM (Ref # 39031)	39031-1055	1
WINDSHIELD,SHORT TYPE (Ref # 39154)	39154-1062	1
WINDSHIELD,LONG TYPE (Ref # 39154A)	39154-1069	1
TRIM,COWLING (Ref # 53044)	53044-1157	1
TRIM,WINDSHIELD,SHORT TYPE (Ref # 53044A)	53044-1164	1
TRIM,INNER COWLING (Ref # 53044B)	53044-1172	1
TRIM,MIRROR (Ref # 53044C)	53044-1173	1
TRIM,WINDSHIELD,LONG TYPE (Ref # 53044D)	53044-1192	1
COWLING-ASSY,UPP,OUTER,RED (Ref # 55027)	55027-1092-H3	1
COWLING-ASSY,UPP,OUTER,GRAY (Ref # 55027A)	55027-1092-T8	1
MIRROR-ASSY,LH (Ref # 56001)	56001-1333	1

## 1986 Concours™ PARTS LIST

Cowling(A1)

ITEM NAME	PART NUMBER	QUANTITY
MIRROR-ASSY,RH (Ref # 56001A)	56001-1334	1
BOLT (Ref # 92001)	92001-1825	1
BOLT,6X14,BLACK (Ref # 92001A)	92001-1847	1
BOLT,"U" (Ref # 92002)	92002-1800	1
SCREW,4X16 (Ref # 92009)	92009-1108	1
SCREW,6X14,BLACK (Ref # 92009A)	92009-1308	1
SCREW,5X14,BLACK (Ref # 92009B)	92009-1383	1
SCREW,5X20,BLACK (Ref # 92009C)	92009-1453	1
NUT,FLANGED,8MM,BLACK (Ref # 92015)	92015-1183	1
NUT,FLANGED,6MM,BLACK (Ref # 92015A)	92015-1237	1
NUT,LOCK 5MM (Ref # 92015B)	92015-1263	1
NUT,5MM,COWLING (Ref # 92015C)	92015-1343	1
NUT,STAY,6MM (Ref # 92015D)	92015-1394	1
NUT,6MM (Ref # 92015E)	92015-1602	1
NUT,PLATE,4MM (Ref # 92015F)	92015-1661	1
WASHER,NYLON,5.3X11.5X1.5 (Ref # 92022)	92022-1521	1
COLLAR,L=13.1,BLACK (Ref # 92027)	92027-1450	1
DAMPER,MALE (Ref # 92075)	92075-174	1
DAMPER,FEMALE (Ref # 92075A)	92075-175	1
SEAL,FAIRING POCKET (Ref # 92093)	92093-1239	1
BOLT-FLANGED,6X10,BLACK (Ref # 130)	130C0610	1
BOLT-FLANGED (Ref # 130A)	130C0625	1
BOLT-FLANGED (Ref # 130B)	130J0812	1
BOLT-FLANGED,8X30 (Ref # 130C)	130J0830	1