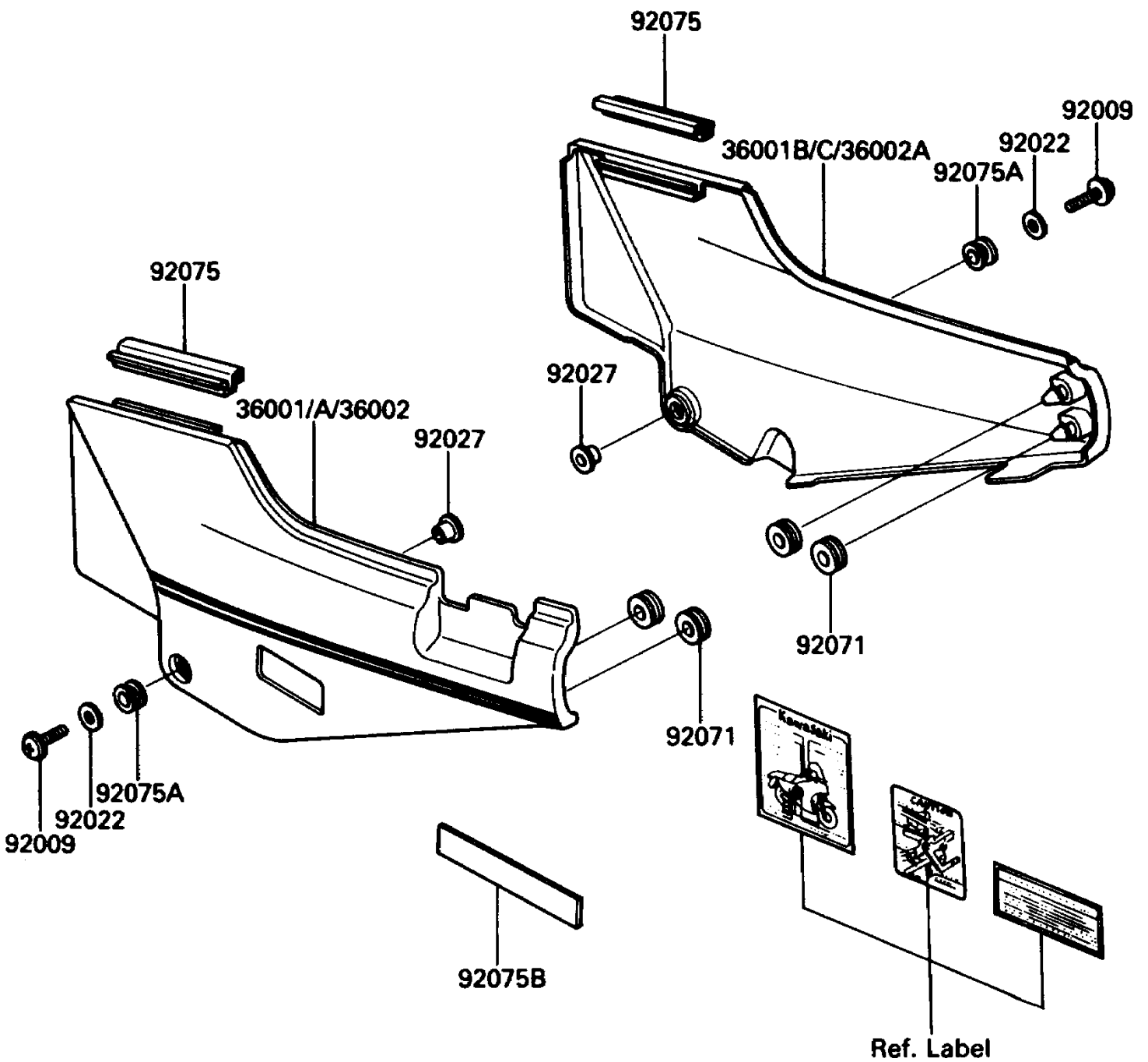


1986 Concours™ PARTS DIAGRAM

Side Covers/Chain Cover

F2610-0331



1986 Concours™ PARTS LIST

Side Covers/Chain Cover

ITEM NAME	PART NUMBER	QUANTITY
COVER-SIDE,LH,P.G.GRAY/F.BLACK (Ref # 36001)	36001-1324-T9	1
COVER-SIDE,LH,F.BLACK/C.W.RED (Ref # 36001A)	36001-1324-V6	1
COVER-SIDE,RH,P.G.GRAY/F.BLACK (Ref # 36001B)	36001-1325-T9	1
COVER-SIDE,RH,F.BLACK/C.W.RED (Ref # 36001C)	36001-1325-V6	1
SCREW,6X18,BLACK (Ref # 92009)	92009-1306	1
WASHER,6.5X20X1.6,BLACK (Ref # 92022)	92022-1619	1
COLLAR,L=9.1,WHITE (Ref # 92027)	92027-1795	1
GROMMET (Ref # 92071)	92071-056	1
DAMPER,SIDE COVER (Ref # 92075)	92075-1601	1
DAMPER (Ref # 92075A)	92075-1634	1
DAMPER,SIDE COVER (Ref # 92075B)	92075-1854	1