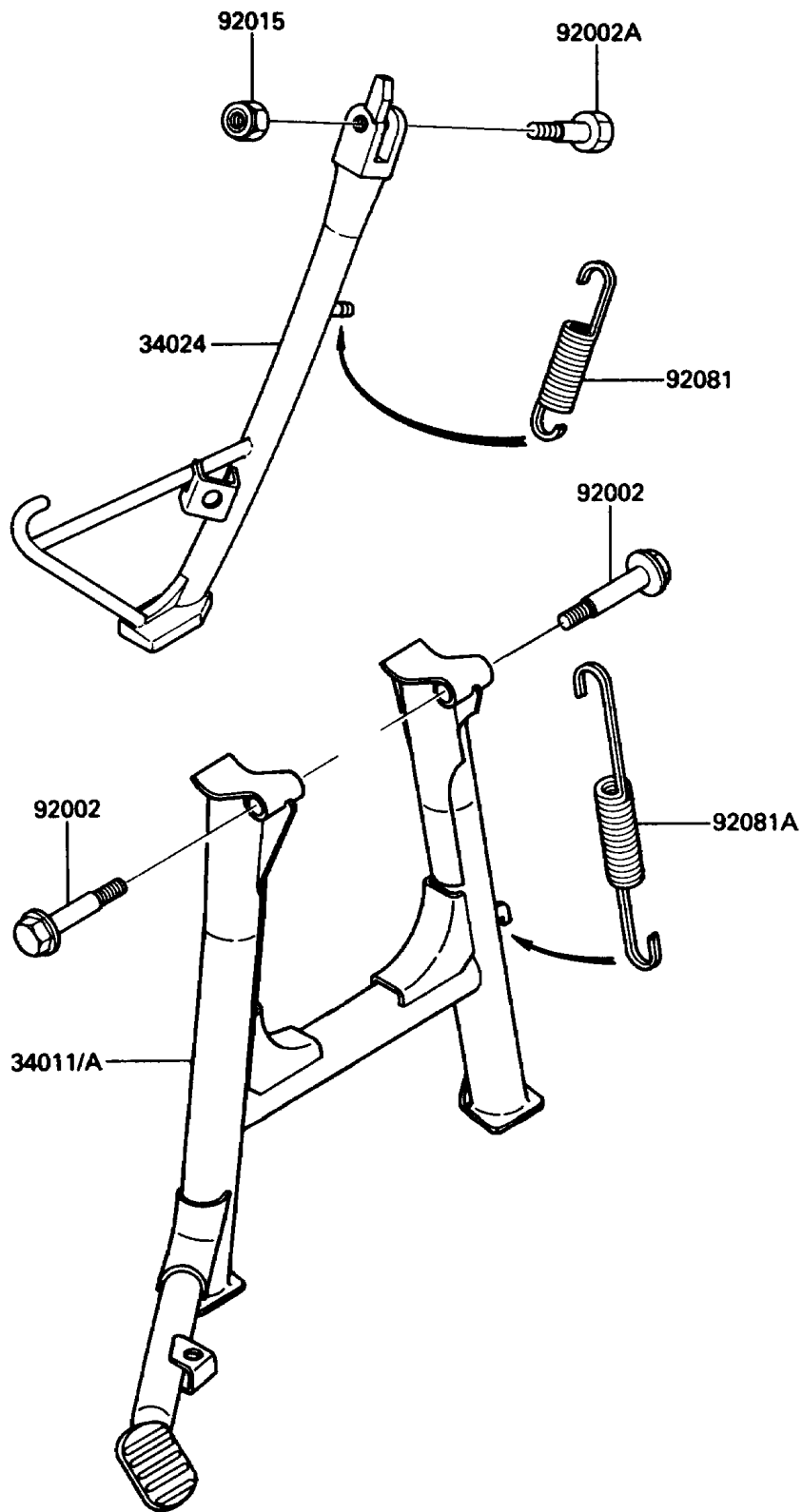


## 1986 Concours™ PARTS DIAGRAM

Stand(s)

F2190-0202



## 1986 Concours™ PARTS LIST

Stand(s)

ITEM NAME	PART NUMBER	QUANTITY
STAND-CENTER (Ref # 34011)	34011-1129	1
STAND-SIDE (Ref # 34024)	34024-1208	1
BOLT,CENTER STAND (Ref # 92002)	92001-1880	1
BOLT,SIDE STAND (Ref # 92002A)	92002-1813	1
NUT,LOCK,10MM (Ref # 92015)	92019-021	1
SPRING,SIDE STAND (Ref # 92081)	92081-1676	1
SPRING,CENTER STAND (Ref # 92081A)	92081-1828	1