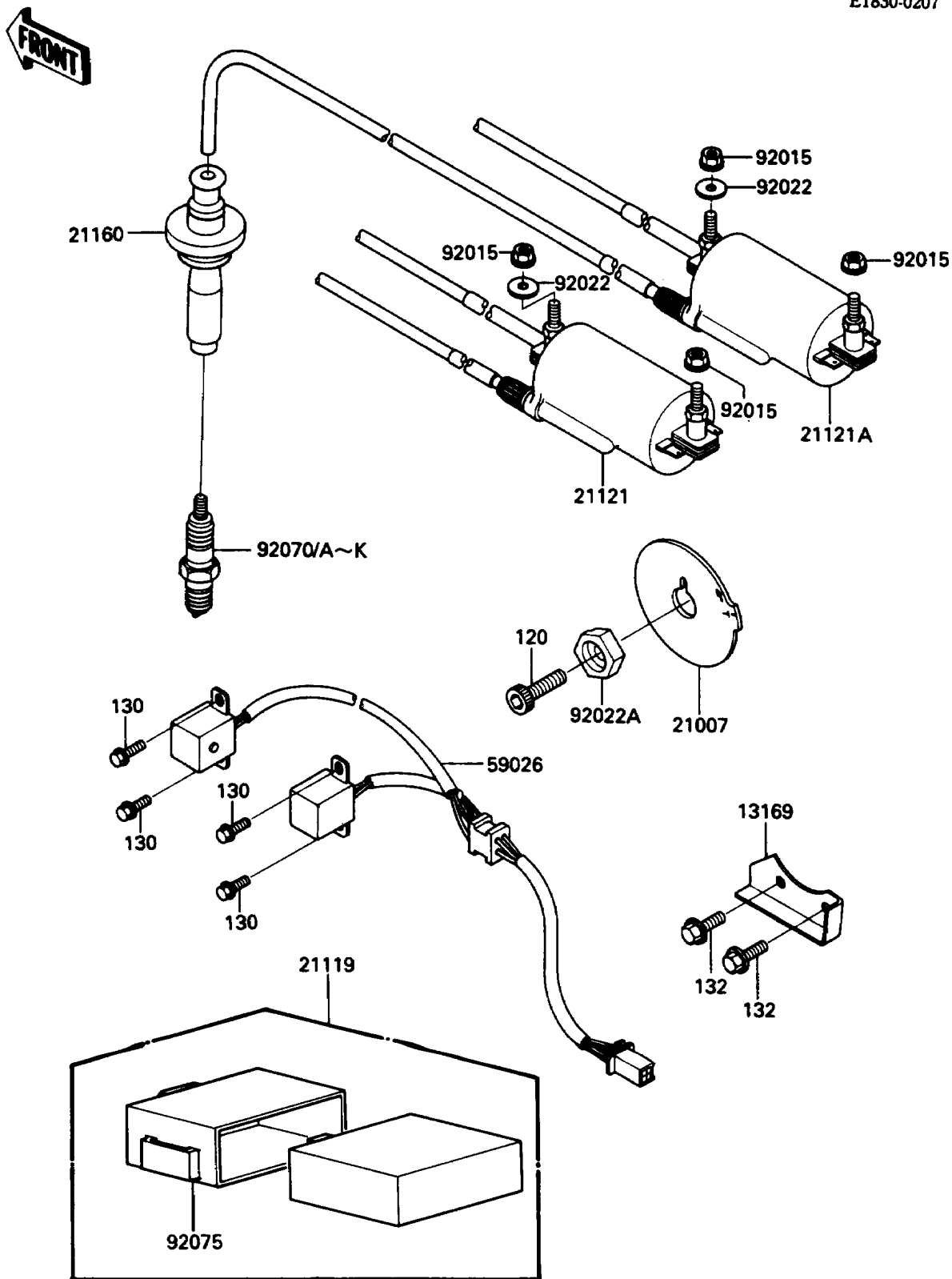


## 1986 Concours™ PARTS DIAGRAM

Ignition System

E1830-0207



## 1986 Concours™ PARTS LIST

### Ignition System

ITEM NAME	PART NUMBER	QUANTITY
PLATE,CHAIN GUIDE (Ref # 13169)	13169-1748	1
ROTOR,PULSING COIL (Ref # 21007)	21007-1109	1
IGNITER (Ref # 21119)	21119-1110	1
COIL-IGNITION,#1&#4 (Ref # 21121)	21121-1110	1
COIL-IGNITION,#2&#3 (Ref # 21121A)	21121-1111	1
CAP-ASSY-PLUG (Ref # 21160)	21160-1065	1
COIL-PULSING (Ref # 59026)	59026-1061	1
NUT,FLANGED,6MM (Ref # 92015)	92015-1193	1
WASHER,7X16X1.2 (Ref # 92022)	92022-024	1
WASHER,ROTOR (Ref # 92022A)	92022-1497	1
PLUG-SPARK,X24ESR-U(ND) (Ref # 92070)		5
PLUG-SPARK,D8EA(NGK) (Ref # 92070A)	92070-1011	1
PLUG-SPARK,D7EA(NGK) (Ref # 92070C)	92070-1013	1
PLUG-SPARK,DR8ES(NGK) (Ref # 92070D)	92070-1019	1
PLUG-SPARK,D9EA(NGK) (Ref # 92070F)	92070-1034	1
PLUG-SPARK,DR7ES(NGK) (Ref # 92070I)	92070-1113	1
PLUG-SPARK,DR8ES-L(NGK) (Ref # 92070J)	92070-1116	1
PLUG-SPARK,X22ESR-U(ND) (Ref # 92070K)	92070-1117	1
DAMPER,IGNITER (Ref # 92075)	92075-1592	1
WASHER,ROTOR (Ref # 120)	120P0825	1
BOLT-FLANGED (Ref # 130)	130G0512	1
BOLT-FLANGED-SMALL (Ref # 132)	132G0612	1