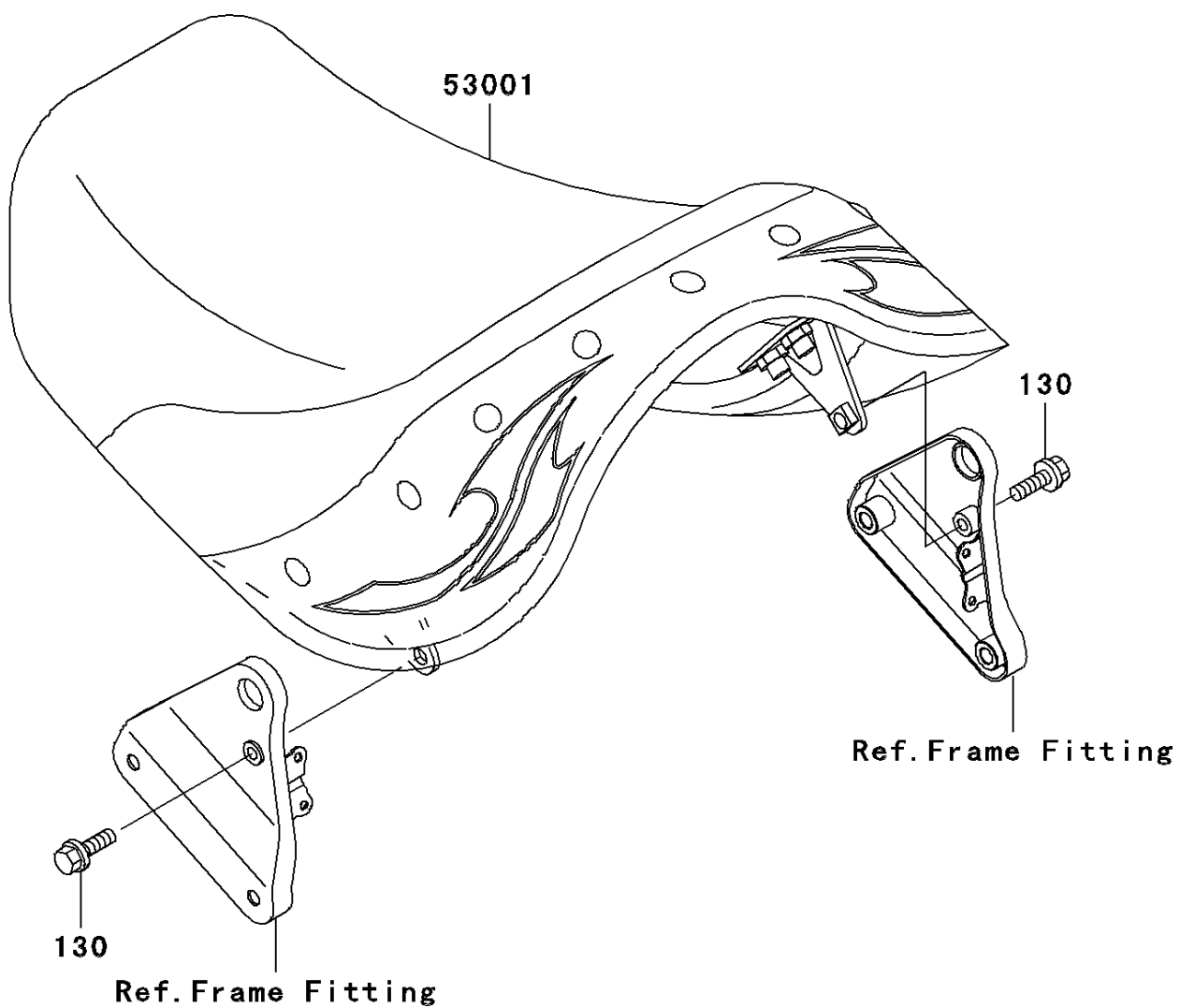


2006 Vulcan® 800 Drifter® PARTS DIAGRAM

Seat

F2510



2006 Vulcan® 800 Drifter® PARTS LIST

Seat

ITEM NAME	PART NUMBER	QUANTITY
BOLT-FLANGED,6X25 (Ref # 130)	130J0625	1
SEAT-ASSY,FR,BLACK (Ref # 53001)	53001-1949-MA	1