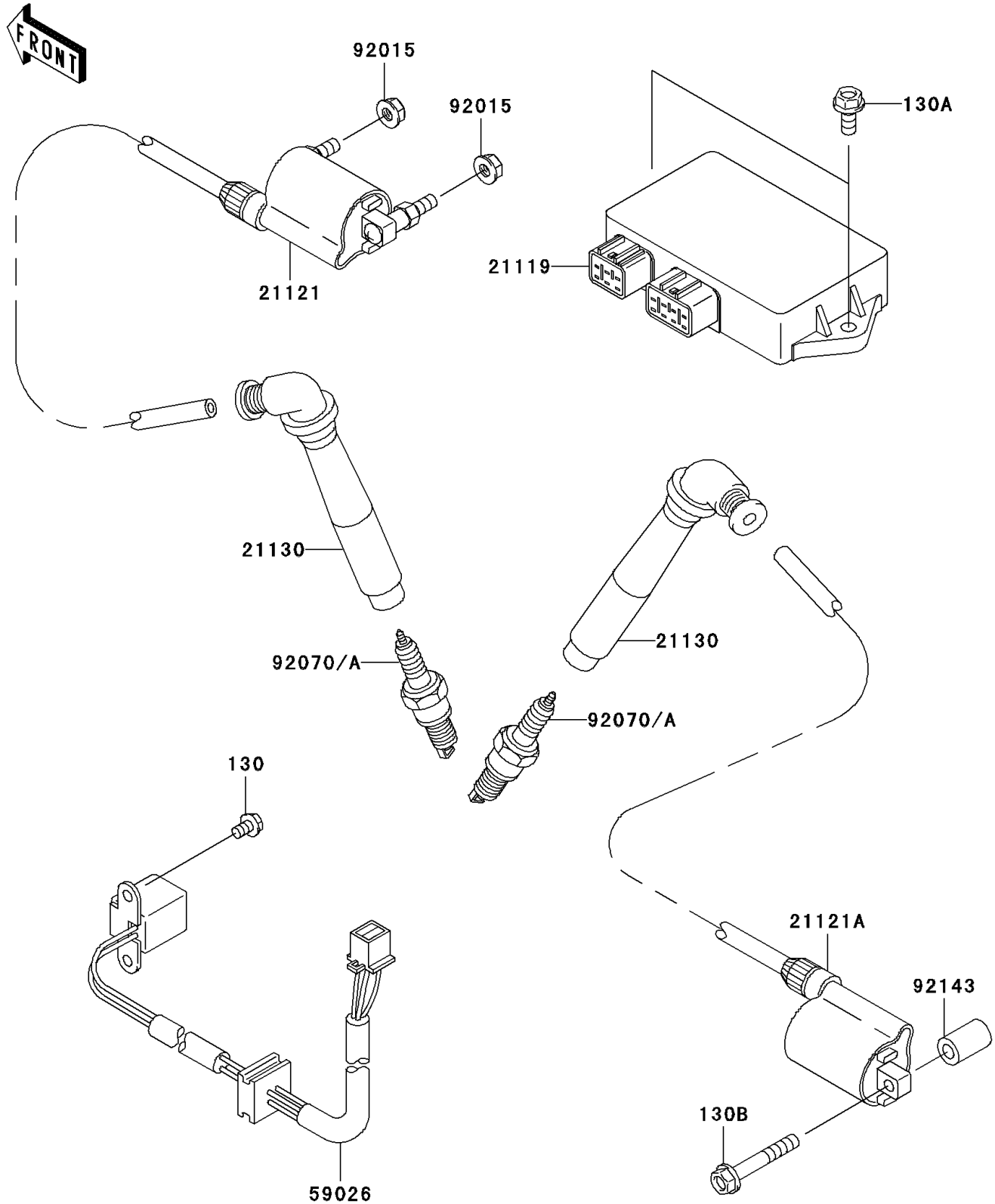


2006 Vulcan® 800 Drifter® PARTS DIAGRAM

Ignition System

E1830



2006 Vulcan® 800 Drifter® PARTS LIST

Ignition System

| ITEM NAME | PART NUMBER | QUANTITY |
|-------------------------------------|-------------|----------|
| BOLT-FLANGED,5X10 (Ref # 130) | 130G0510 | 1 |
| BOLT-FLANGED,6X14 (Ref # 130A) | 130G0614 | 1 |
| BOLT-FLANGED,6X40 (Ref # 130B) | 130V0640 | 1 |
| IGNITER (Ref # 21119) | 21119-1535 | 1 |
| COIL-IGNITION,FR (Ref # 21121) | 21121-1245 | 1 |
| COIL-IGNITION,RR (Ref # 21121A) | 21121-1246 | 1 |
| CAP-SPARK PLUG (Ref # 21130) | 21130-1075 | 1 |
| COIL-PULSING (Ref # 59026) | 59026-1130 | 1 |
| NUT,FLANGED,6MM (Ref # 92015) | 92015-1367 | 1 |
| PLUG-SPARK,CR8E(NGK) (Ref # 92070) | 92070-0019 | 1 |
| PLUG-SPARK,CR7E(NGK) (Ref # 92070A) | 92070-1209 | 1 |
| COLLAR,6.8X13X20 (Ref # 92143) | 92143-1773 | 1 |