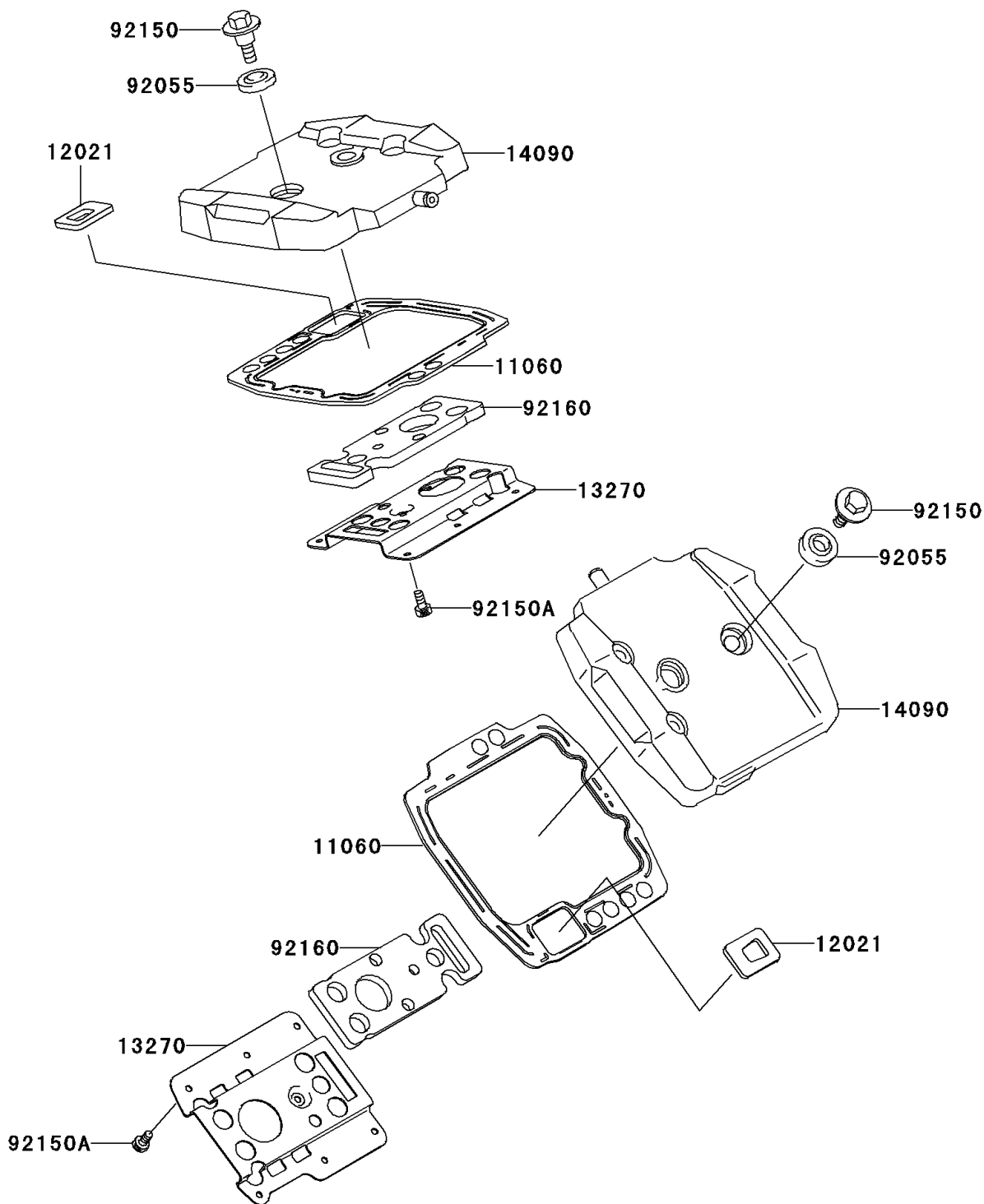


## 2006 Vulcan® 800 Drifter® PARTS DIAGRAM

Cylinder Head Cover

E1112



## 2006 Vulcan® 800 Drifter® PARTS LIST

Cylinder Head Cover

ITEM NAME	PART NUMBER	QUANTITY
GASKET,HEAD COVER (Ref # 11060)	11060-1677	1
VALVE-ASSY-REED (Ref # 12021)	12021-1102	1
PLATE (Ref # 13270)	13270-1490	1
COVER,HEAD (Ref # 14090)	14090-1551	1
RING-O,HEAD COVER BOLT (Ref # 92055)	92055-1352	1
BOLT,FLANGED,6X23.5 (Ref # 92150)	92150-1447	1
BOLT,5X8 (Ref # 92150A)	92150-1955	1
DAMPER,HEAD COVER (Ref # 92160)	92160-1659	1