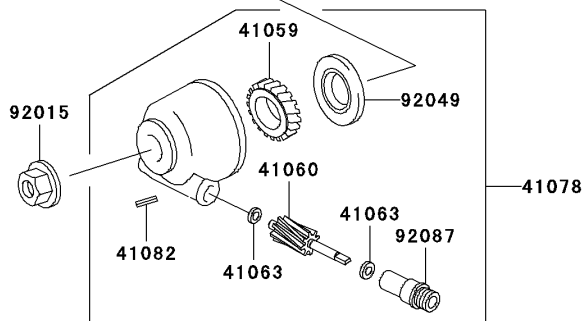
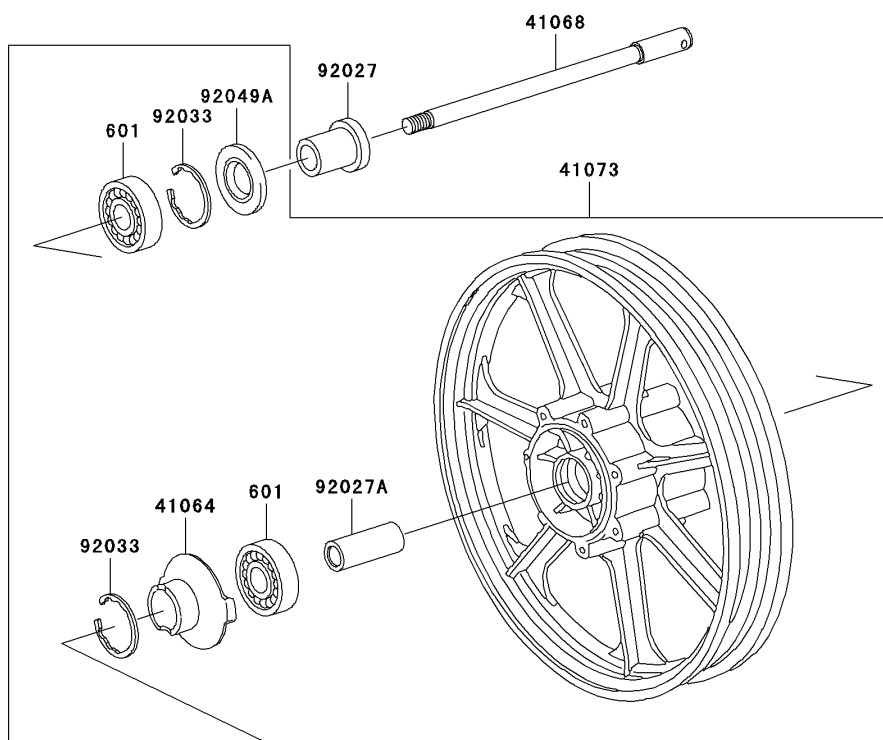


2006 Vulcan® 750 PARTS DIAGRAM

Front Wheel

F2230



2006 Vulcan® 750 PARTS LIST

Front Wheel

| ITEM NAME | PART NUMBER | QUANTITY |
|--|---------------|----------|
| BEARING-BALL,#6302UG (Ref # 601) | 601B6302UG | 1 |
| GEAR-METER SCREW,26T (Ref # 41059) | 41059-026 | 1 |
| GEAR-METER SCREW,9T (Ref # 41060) | 41060-1016 | 1 |
| WASHER,5.1X9X0.4 (Ref # 41063) | 41063-001 | 1 |
| RECEIVER-SPEEDOMETER (Ref # 41064) | 41064-1006 | 1 |
| AXLE,FR (Ref # 41068) | 41068-1189 | 1 |
| WHEEL-ASSY,FR,SILVER NO.1 (Ref # 41073) | 41073-1591-CX | 1 |
| CASE-ASSY-METER GEAR,F.BLACK (Ref # 41078) | 41078-1024 | 1 |
| PIN,SPRING (Ref # 41082) | 41082-001 | 1 |
| NUT,14MM (Ref # 92015) | 92015-1407 | 1 |
| COLLAR,L=30 (Ref # 92027) | 92027-1225 | 1 |
| COLLAR,L=70 (Ref # 92027A) | 92027-1866 | 1 |
| RING-SNAP,42MM (Ref # 92033) | 92033-1041 | 1 |
| SEAL-OIL,BJN30427-C3 (Ref # 92049) | 92049-1057 | 1 |
| SEAL-OIL,BJN22425 (Ref # 92049A) | 92049-1058 | 1 |
| BUSHING-METER GEAR (Ref # 92087) | 92087-1002 | 1 |