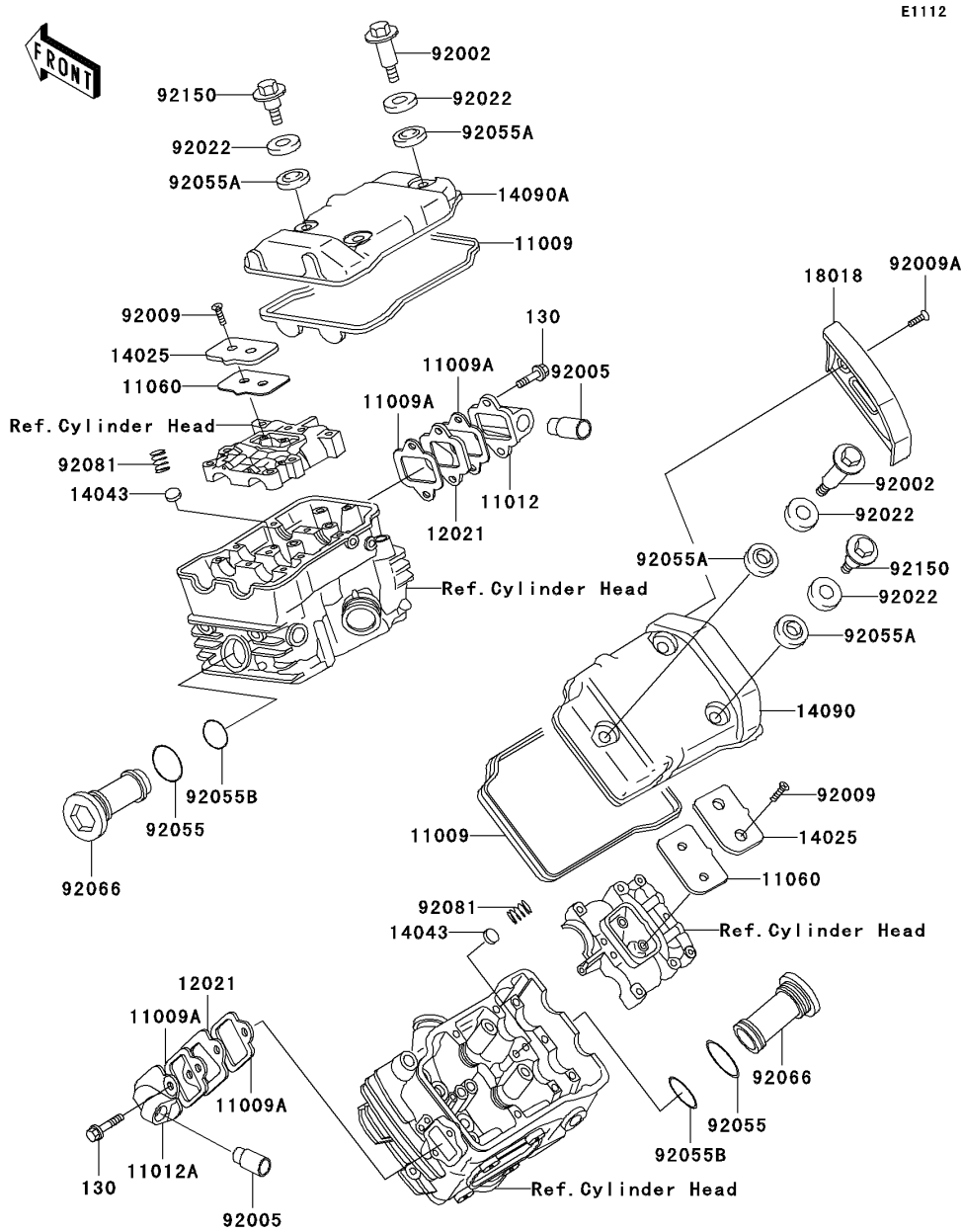


## 2006 Vulcan® 750 PARTS DIAGRAM

Cylinder Head Cover



## 2006 Vulcan® 750 PARTS LIST

Cylinder Head Cover

ITEM NAME	PART NUMBER	QUANTITY
BOLT-FLANGED,6X20 (Ref # 130)	130N0620	1
GASKET,CYLINDER HEAD COVER (Ref # 11009)	11009-1508	1
GASKET,REED VALVE (Ref # 11009A)	11009-1879	1
CAP,REED VALVE,FR (Ref # 11012)	11012-1494	1
CAP,REED VALVE,RR (Ref # 11012A)	11012-1495	1
GASKET,SEPARATER COVER (Ref # 11060)	11060-1083	1
VALVE-ASSY-REED (Ref # 12021)	12021-1011	1
COVER,SEPARATER (Ref # 14025)	14025-1738	1
FILTER,OIL (Ref # 14043)	14043-1056	1
COVER,CYLINDER HEAD,RR (Ref # 14090)	14090-1400	1
COVER,CYLINDER HEAD,FR (Ref # 14090A)	14090-1401	1
PLATE-HEAT GUARD (Ref # 18018)	18018-1063	1
BOLT,FLANGED,6X35.5X16 (Ref # 92002)	92002-1421	1
FITTING,REED VALVE (Ref # 92005)	92005-1006	1
SCREW,6X10 (Ref # 92009)	92009-1363	1
SCREW,6X16 (Ref # 92009A)	92009-3703	1
WASHER,HEAD COVER BOLT (Ref # 92022)	92022-1637	1
RING-O,31.7X2.4 (Ref # 92055)	92055-049	1
RING-O,HEAD COVER BOLT (Ref # 92055A)	92055-1225	1
RING-O,27.7X1.9 (Ref # 92055B)	92055-1272	1
PLUG,CYLINDER HEAD (Ref # 92066)	92066-1224	1
SPRING,OIL FILTER (Ref # 92081)	92081-1776	1
BOLT,FLANGED,6X23.5 (Ref # 92150)	92150-1447	1