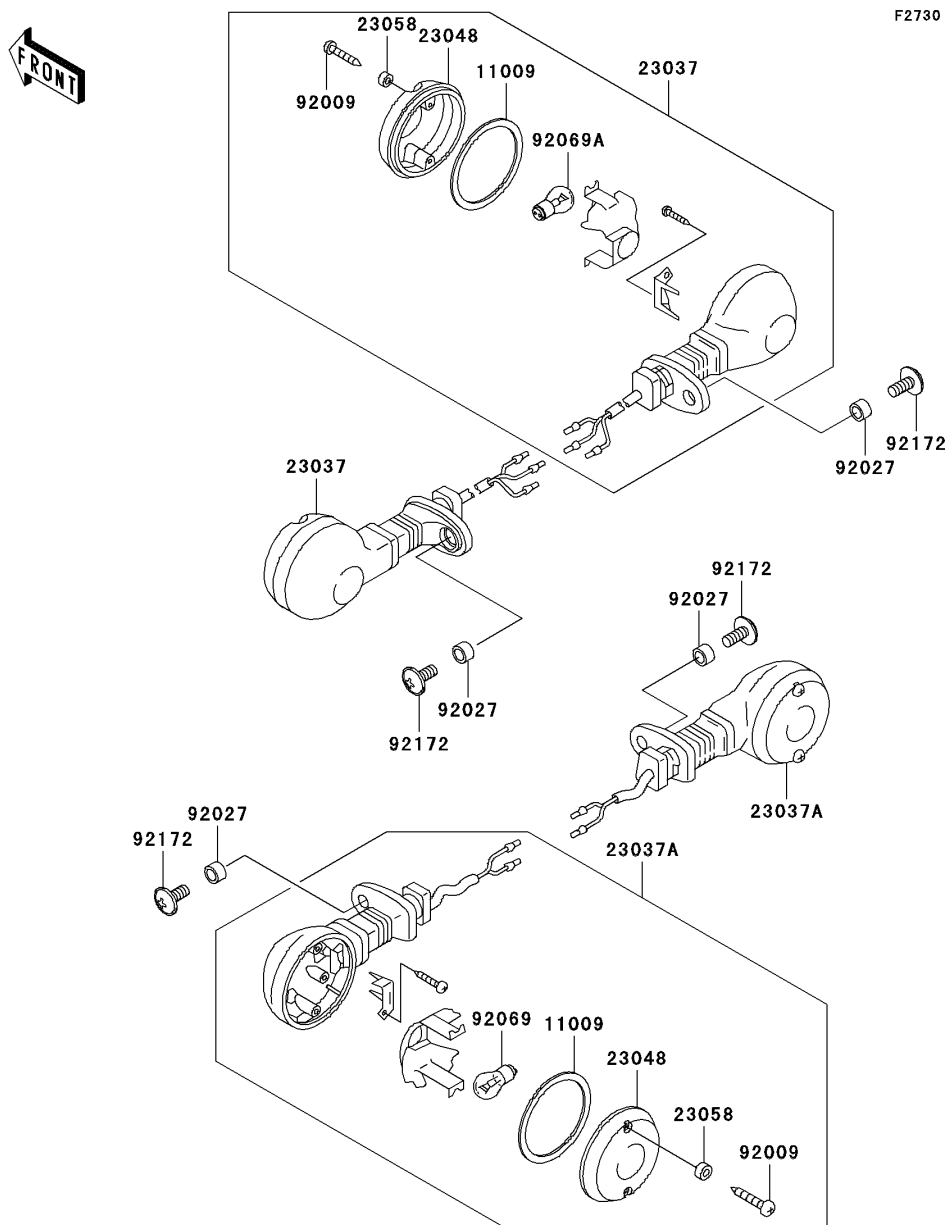


## 2004 Vulcan® 750 PARTS DIAGRAM

Turn Signals



## 2004 Vulcan® 750 PARTS LIST

Turn Signals

ITEM NAME	PART NUMBER	QUANTITY
GASKET,SIGNAL LAMP (Ref # 11009)	11009-1413	1
LAMP-ASSY-SIGNAL,FR (Ref # 23037)	23037-1214	1
LAMP-ASSY-SIGNAL (Ref # 23037A)	23037-1220	1
LENS-SIGNAL LAMP (Ref # 23048)	23048-1066	1
WASHER,PLAIN,4MM (Ref # 23058)	23058-002	1
SCREW,TAPPING,4X25 (Ref # 92009)	92009-1069	1
COLLAR,6.8X10X6 (Ref # 92027)	92027-103	1
BULB,12V 32CP(23W) (Ref # 92069)	92069-055	1
BULB,12V 32/3CP(23/8W) (Ref # 92069A)	92069-060	1
SCREW,6X14 (Ref # 92172)	92172-0004	1