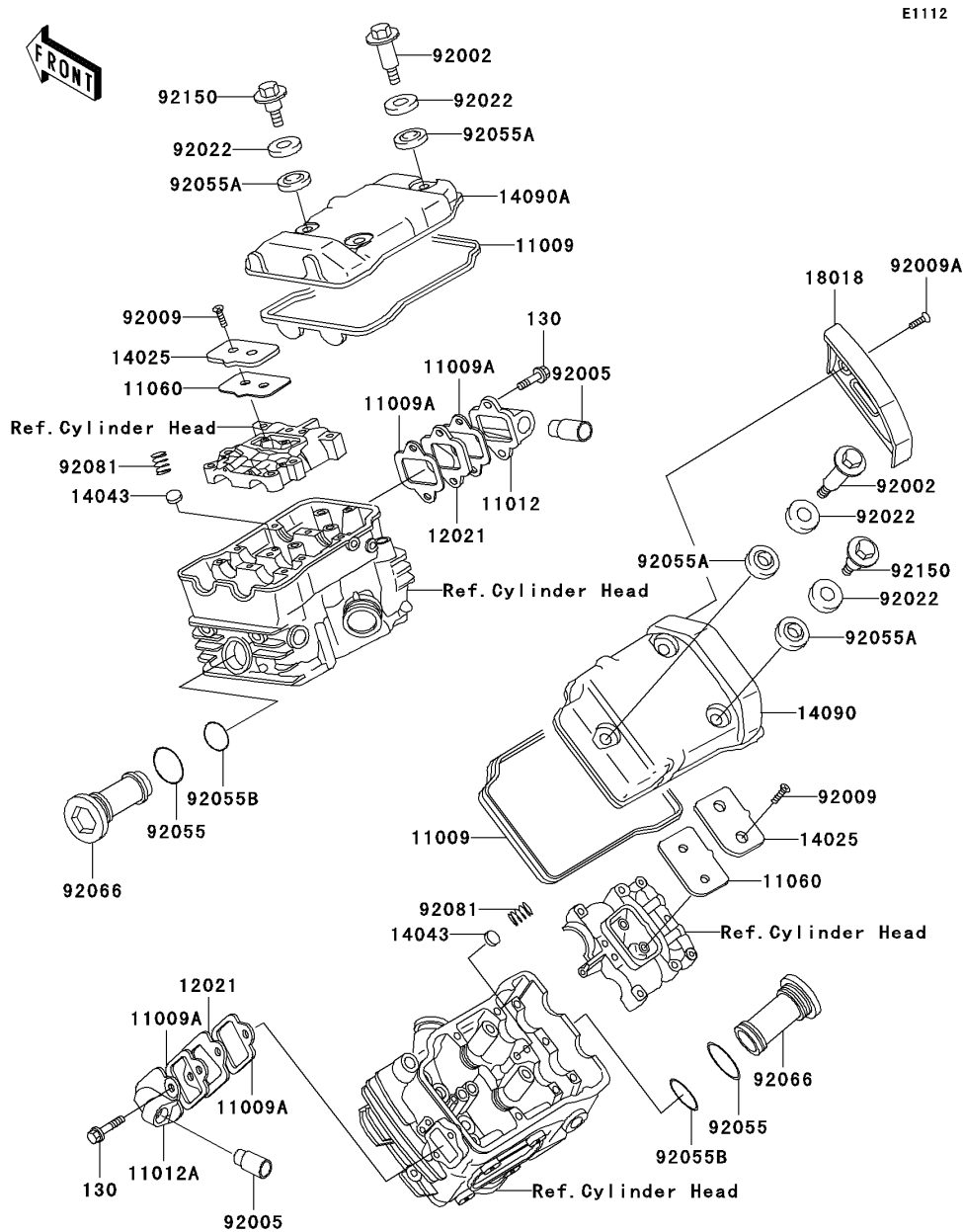


2004 Vulcan® 750 PARTS DIAGRAM

Cylinder Head Cover



2004 Vulcan® 750 PARTS LIST

Cylinder Head Cover

| ITEM NAME | PART NUMBER | QUANTITY |
|--|-------------|----------|
| BOLT-FLANGED (Ref # 130) | 130N0620 | 1 |
| GASKET,CYLINDER HEAD COVER (Ref # 11009) | 11009-1508 | 1 |
| GASKET,REED VALVE (Ref # 11009A) | 11009-1879 | 1 |
| CAP,REED VALVE,FR (Ref # 11012) | 11012-1494 | 1 |
| CAP,REED VALVE,RR (Ref # 11012A) | 11012-1495 | 1 |
| GASKET,SEPARATER COVER (Ref # 11060) | 11060-1083 | 1 |
| VALVE-ASSY-REED (Ref # 12021) | 12021-1011 | 1 |
| COVER,SEPARATER (Ref # 14025) | 14025-1738 | 1 |
| FILTER,OIL (Ref # 14043) | 14043-1056 | 1 |
| COVER,CYLINDER HEAD,RR (Ref # 14090) | 14090-1400 | 1 |
| COVER,CYLINDER HEAD,FR (Ref # 14090A) | 14090-1401 | 1 |
| PLATE-HEAT GUARD (Ref # 18018) | 18018-1063 | 1 |
| BOLT (Ref # 92002) | 92002-1421 | 1 |
| FITTING,REED VALVE (Ref # 92005) | 92005-1006 | 1 |
| SCREW,6X10 (Ref # 92009) | 92009-1363 | 1 |
| SCREW,6X16 (Ref # 92009A) | 92009-3703 | 1 |
| WASHER,HEAD COVER BOLT (Ref # 92022) | 92022-1637 | 1 |
| RING-O,31.7X2.4 (Ref # 92055) | 92055-049 | 1 |
| RING-O,HEAD COVER BOLT (Ref # 92055A) | 92055-1225 | 1 |
| RING-O,27.7X1.9 (Ref # 92055B) | 92055-1272 | 1 |
| PLUG,CYLINDER HEAD (Ref # 92066) | 92066-1224 | 1 |
| SPRING,OIL FILTER (Ref # 92081) | 92081-1776 | 1 |
| BOLT,HEAD COVER (Ref # 92150) | 92150-1447 | 1 |