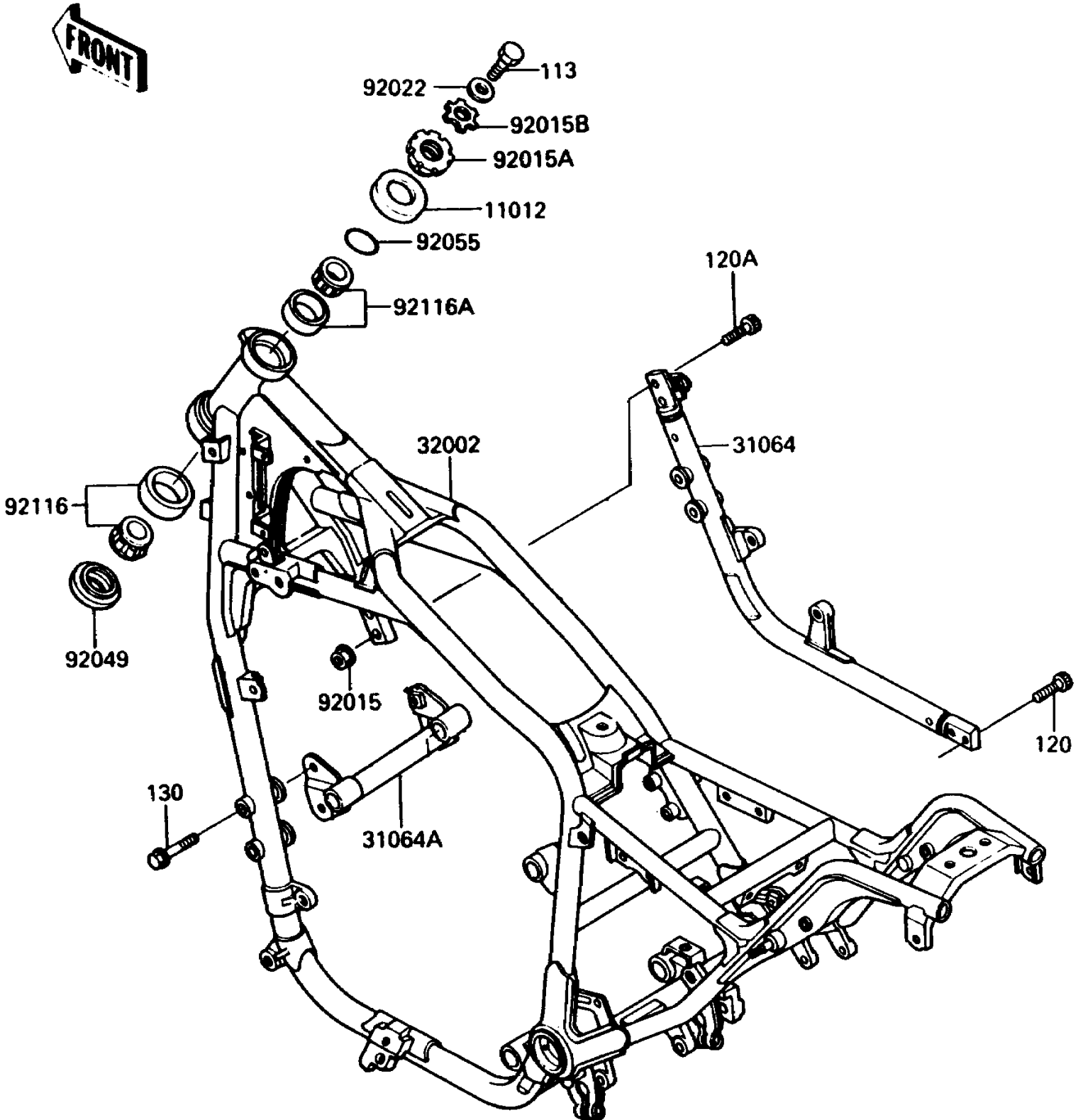


1986 Vulcan® 750 PARTS DIAGRAM

Frame

F2120-0271



1986 Vulcan® 750 PARTS LIST

Frame

ITEM NAME	PART NUMBER	QUANTITY
CAP,STEERING STEM (Ref # 11012)	46098-017	1
PIPE-COMP,SUB FRAME (Ref # 31064)	31064-1058	1
PIPE-COMP (Ref # 31064A)	31064-1059	1
FRAME-COMP (Ref # 32002)	32002-1783	1
NUT,10MM (Ref # 92015)	92015-1021	1
NUT,25MM,T=10 (Ref # 92015A)	92015-1377	1
NUT,25MM,T=6 (Ref # 92015B)	92015-1378	1
WASHER,14.5X36X4.5 (Ref # 92022)	92022-1229	1
SEAL-OIL,XMHE36X52X4J (Ref # 92049)	92049-1162	1
RING-O,24.7MM (Ref # 92055)	92055-1160	1
BEARING-ROLLER,HR320/28XJ (Ref # 92116)	92116-1009	1
BEARING-ROLLER,HI-CAP32005JR (Ref # 92116A)	92116-1058	1
BOLT-SMALL-FINE,14X25 (Ref # 113)	113G1425	1
BOLT-SOCKET (Ref # 120)	120S1020	1
BOLT-SOCKET,10X30 (Ref # 120A)	120S1030	1
BOLT-FLANGED (Ref # 130)	130J0860	1