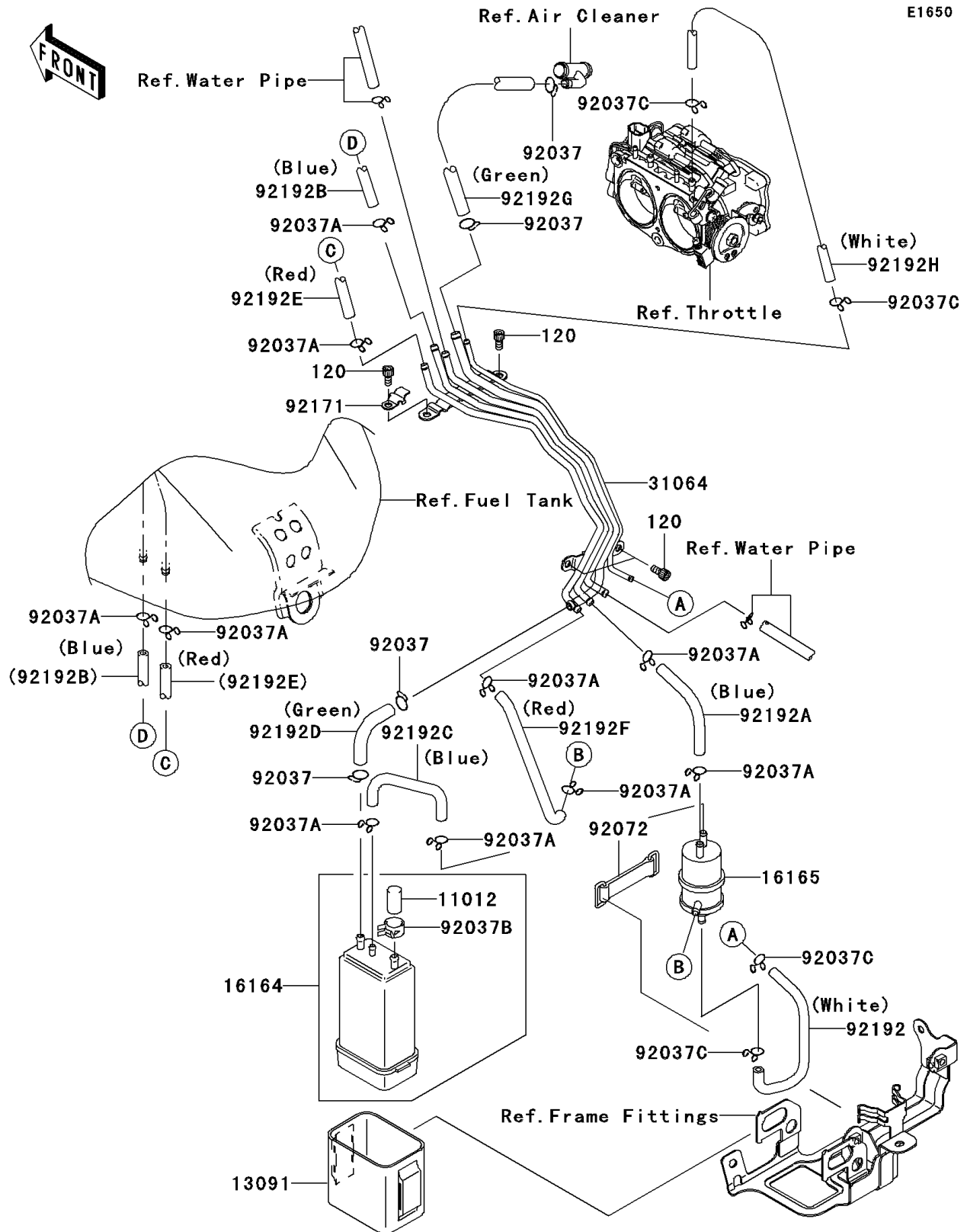


2005 Vulcan® 2000 Limited PARTS DIAGRAM

Fuel Evaporative System(CA)



2005 Vulcan® 2000 Limited PARTS LIST

Fuel Evaporative System(CA)

ITEM NAME	PART NUMBER	QUANTITY
BOLT-SOCKET (Ref # 120)	120W0612	1
CAP,CANISTER (Ref # 11012)	11012-1388	1
HOLDER,CANISTER (Ref # 13091)	13091-1308	1
CANISTER (Ref # 16164)	16164-1054	1
SEPARATOR (Ref # 16165)	16165-1001	1
PIPE-COMP (Ref # 31064)	31064-0010	1
CLAMP,HOSE (Ref # 92037)	92037-1104	1
CLAMP,TUBE (Ref # 92037A)	92037-147	1
CLAMP,CANISTER (Ref # 92037B)	92037-1512	1
CLAMP (Ref # 92037C)	92037-1712	1
BAND,L=50 (Ref # 92072)	92072-1419	1
CLAMP (Ref # 92171)	92171-0209	1
TUBE,SEPARATOR-PIPE,WHITE (Ref # 92192)	92192-0013	1
TUBE,SEPARATOR-PIPE,BLUE (Ref # 92192A)	92192-0014	1
TUBE,BLUE (Ref # 92192B)	92192-0037	1
TUBE,CANISTER-SEPARATOR,BLUE (Ref # 92192C)	92192-0061	1
TUBE,CANISTER-PIPE,GREEN (Ref # 92192D)	92192-0107	1
TUBE,TANK-PIPE,RED (Ref # 92192E)	92192-0112	1
TUBE,SEPARATOR-PIPE,RED (Ref # 92192F)	92192-0113	1
TUBE,7X12X430,GREEN (Ref # 92192G)	92192-0114	1
TUBE,4X9X510,WHITE (Ref # 92192H)	92192-0121	1