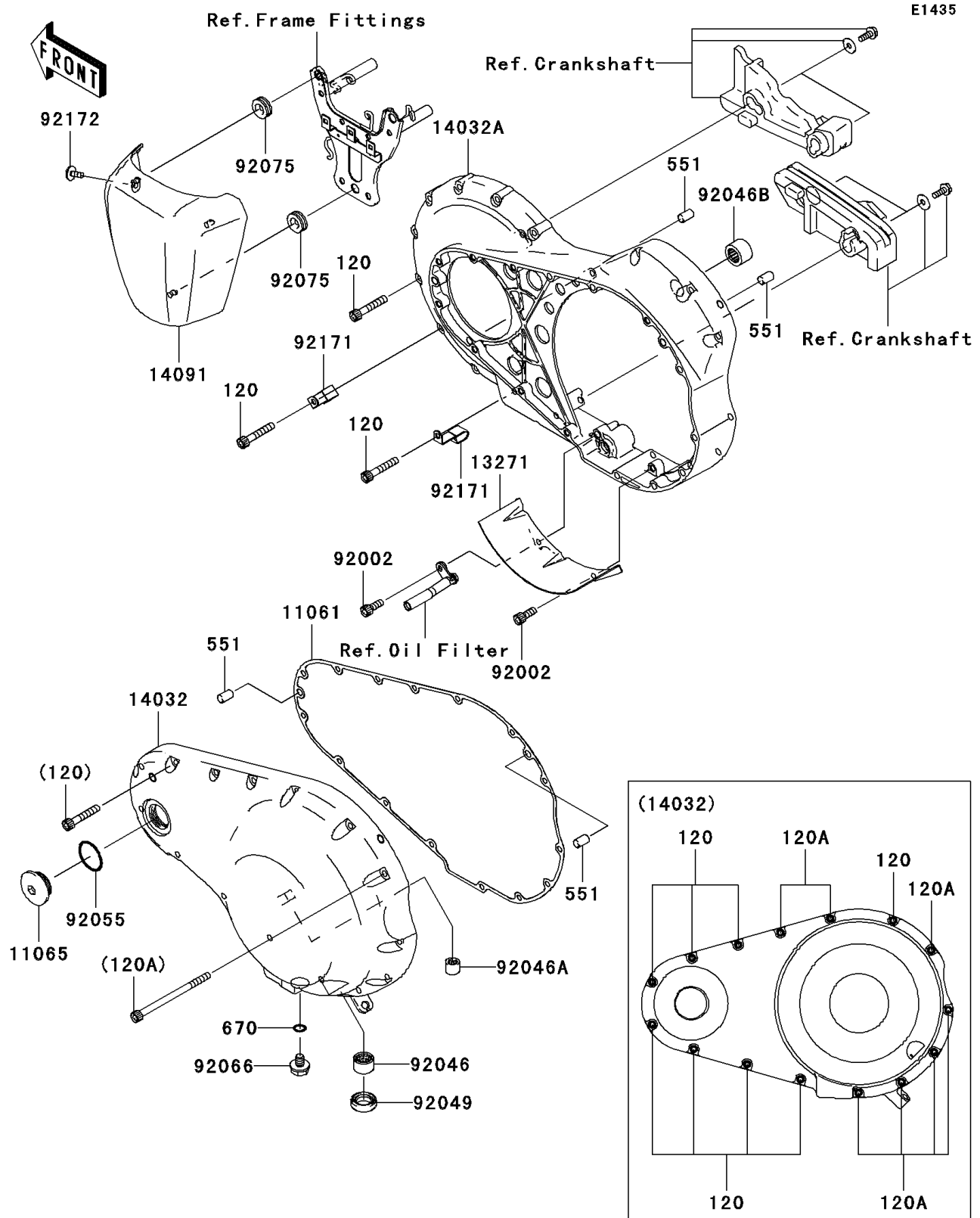


2005 Vulcan® 2000 Limited PARTS DIAGRAM

Left Engine Cover(s)



2005 Vulcan® 2000 Limited PARTS LIST

Left Engine Cover(s)

| ITEM NAME | PART NUMBER | QUANTITY |
|--|-------------|----------|
| BOLT-SOCKET (Ref # 120) | 120R0635 | 1 |
| BOLT-SOCKET (Ref # 120A) | 120R0690 | 1 |
| PIN-DOWEL,8X14 (Ref # 551) | 551A0814 | 1 |
| O RING,8MM (Ref # 670) | 670D1508 | 1 |
| GASKET,CLUTCH,OUTSIDE (Ref # 11061) | 11061-0016 | 1 |
| CAP (Ref # 11065) | 11065-0025 | 1 |
| PLATE (Ref # 13271) | 13271-0083 | 1 |
| COVER-CLUTCH,OUTER (Ref # 14032) | 14032-0010 | 1 |
| COVER-CLUTCH,INNER (Ref # 14032A) | 14032-0061 | 1 |
| COVER (Ref # 14091) | 14091-0289 | 1 |
| BOLT, SOCKET,6X16 (Ref # 92002) | 92002-1778 | 1 |
| BEARING-NEEDLE, HK1210 (Ref # 92046) | 92046-1010 | 1 |
| BEARING-NEEDLE, HK0709 (Ref # 92046A) | 92046-1142 | 1 |
| BEARING-NEEDLE, HK1212 (Ref # 92046B) | 92046-1163 | 1 |
| SEAL-OIL, CLUTCH RELEASE (Ref # 92049) | 92049-1475 | 1 |
| RING-O, 31.7X2.4 (Ref # 92055) | 92055-049 | 1 |
| PLUG, DRAIN, 8X10 (Ref # 92066) | 92066-1026 | 1 |
| DAMPER (Ref # 92075) | 92075-1629 | 1 |
| CLAMP, SENSOR CODE (Ref # 92171) | 92171-0153 | 1 |
| SCREW, 5X12 (Ref # 92172) | 92172-0101 | 1 |