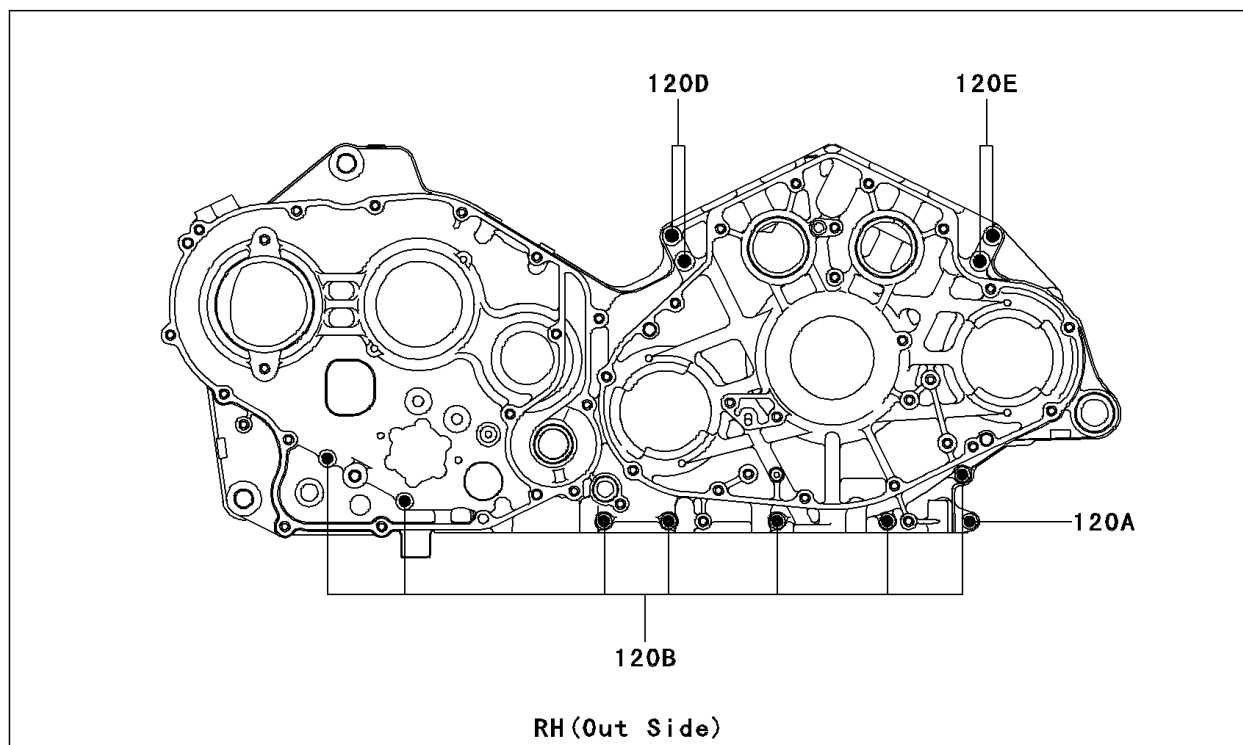
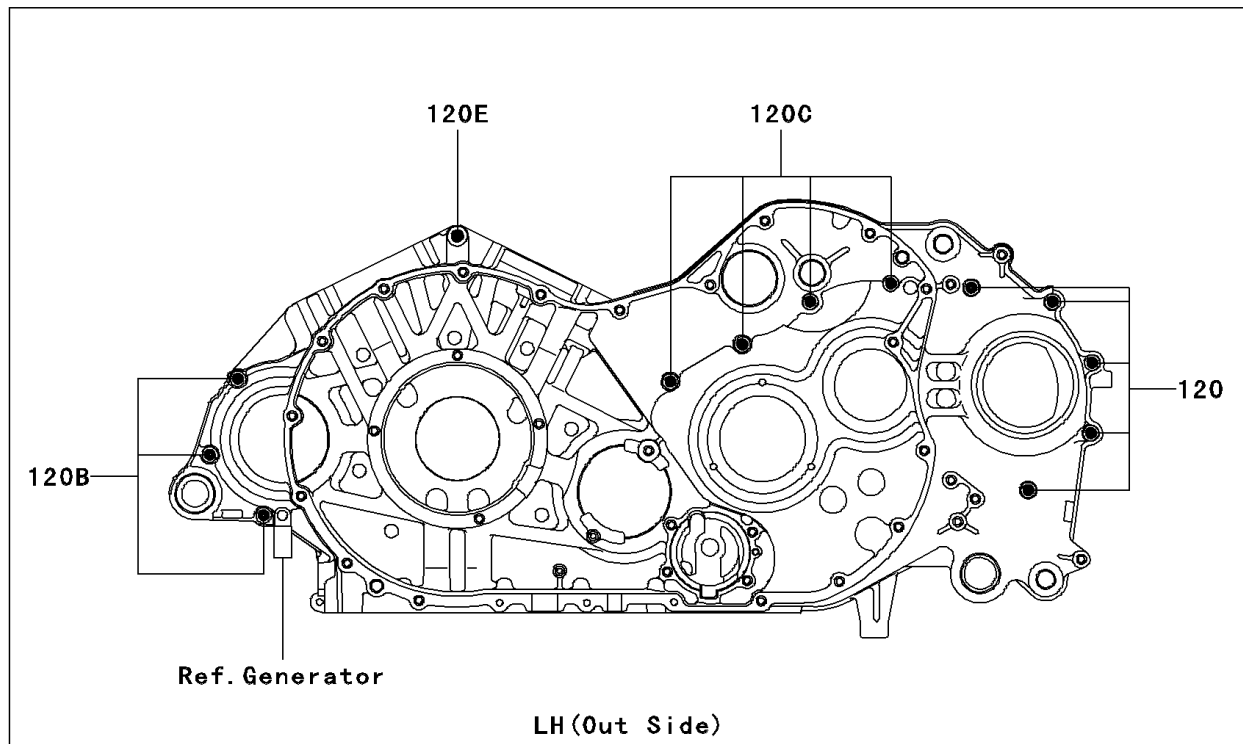


## 2005 Vulcan® 2000 Limited PARTS DIAGRAM

Crankcase Bolt Pattern

E1412



## 2005 Vulcan® 2000 Limited PARTS LIST

Crankcase Bolt Pattern

ITEM NAME	PART NUMBER	QUANTITY
BOLT-SOCKET (Ref # 120)	120R06120	1
BOLT-SOCKET (Ref # 120A)	120R0630	1
BOLT-SOCKET (Ref # 120B)	120R0675	1
BOLT-SOCKET (Ref # 120C)	120R0695	1
BOLT-SOCKET (Ref # 120D)	120W0885	1
BOLT-SOCKET (Ref # 120E)	120W0895	1