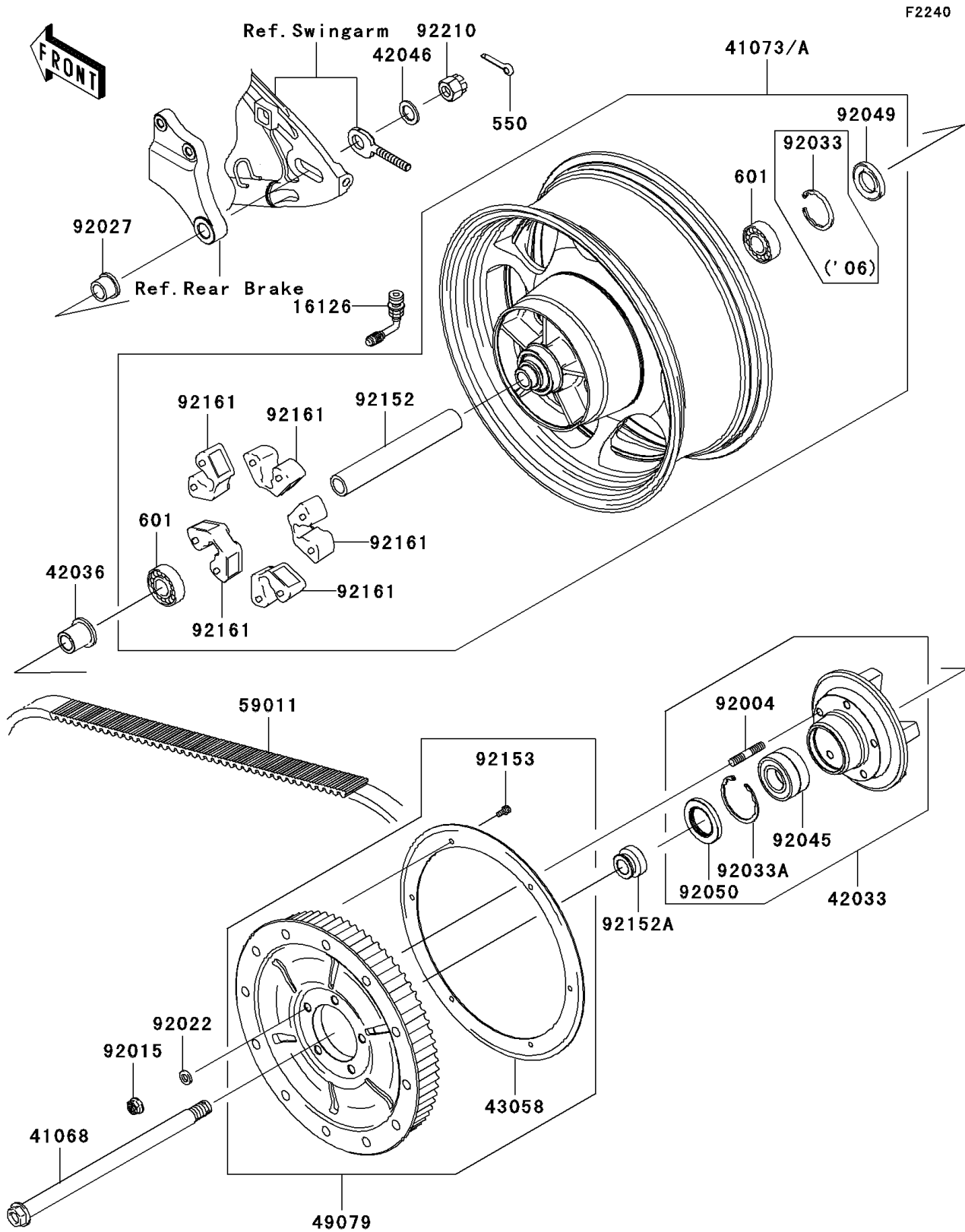


## 2006 Vulcan® 2000 PARTS DIAGRAM

Rear Wheel/Chain



## 2006 Vulcan® 2000 PARTS LIST

Rear Wheel/Chain

ITEM NAME	PART NUMBER	QUANTITY
PIN-COTTER,4.0X35 (Ref # 550)	550D4035	1
BEARING-BALL,#6304UUC3 (Ref # 601)	601B6304UU	1
VALVE (Ref # 16126)	16126-1365	1
AXLE,RR (Ref # 41068)	41068-0007	1
WHEEL-ASSY,RR (Ref # 41073)	41073-0005	1
COUPLING-ASSY,RR HUB (Ref # 42033)	42033-0020	1
SLEEVE,RR HUB COUPLING,L=39 (Ref # 42036)	42036-0027	1
WASHER,21X33X2.6 (Ref # 42046)	42046-003	1
RING,REAR PULLEY (Ref # 43058)	43058-0004	1
PULLEY-BELT,P.SILVER (Ref # 49079)	49079-0004-458	1
BELT,DRIVE,133T (Ref # 59011)	59011-0004	1
STUD,10X35 (Ref # 92004)	92004-0016	1
NUT,FLANGED,10MM (Ref # 92015)	92015-1335	1
WASHER,10.5X19X3.2 (Ref # 92022)	92022-1820	1
COLLAR,RR AXLE,L=21.5 (Ref # 92027)	92027-1902	1
RING-SNAP,52MM (Ref # 92033)	92033-1043	1
RING-SNAP,62MM (Ref # 92033A)	92033-1044	1
BEARING-BALL,6206LUD2C3/2AS (Ref # 92045)	92045-0045	1
SEAL-OIL,28X52X5 (Ref # 92049)	92049-1061	1
SEAL-OIL,AJN40627 (Ref # 92050)	92050-027	1
COLLAR,RR HUB,L=210 (Ref # 92152)	92152-0051	1
COLLAR,RR AXLE,LH,L=24 (Ref # 92152A)	92152-0321	1
BOLT,SOCKET,6X12 (Ref # 92153)	92153-0827	1
DAMPER,SHOCK,RR HUB (Ref # 92161)	92161-0043	1
NUT,CASTLE,18MM (Ref # 92210)	92210-1134	1