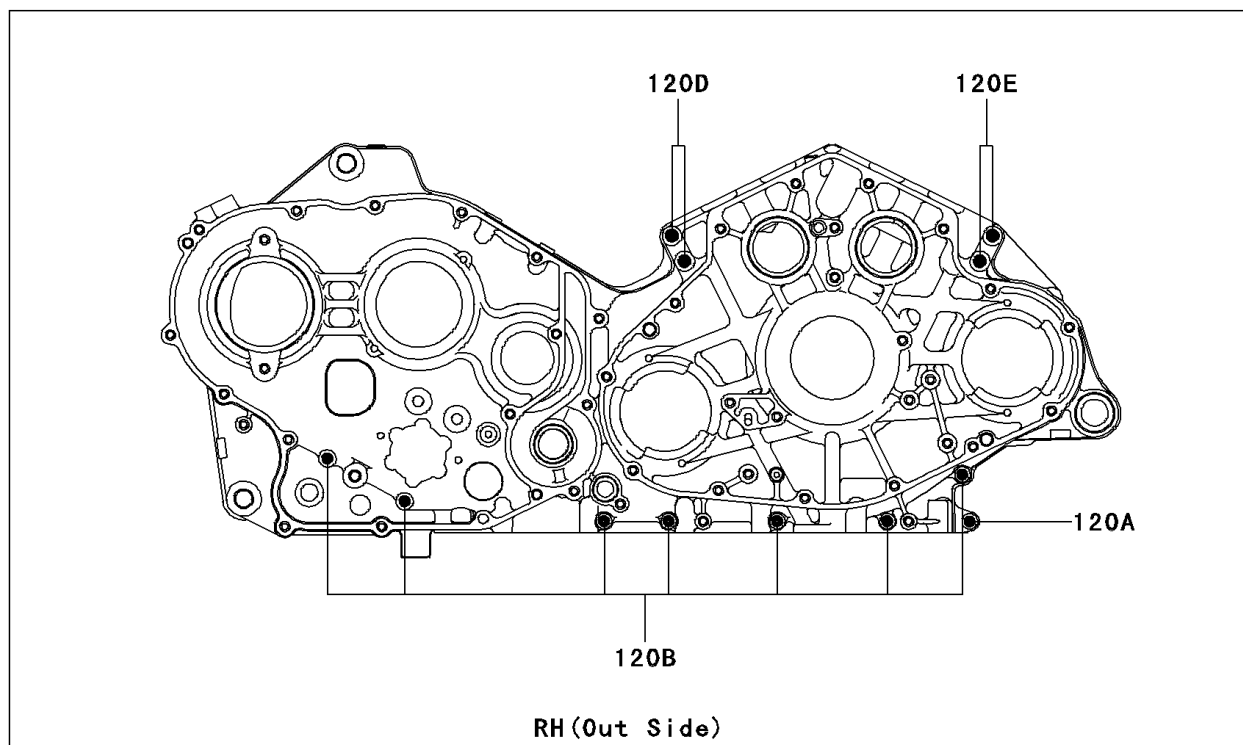
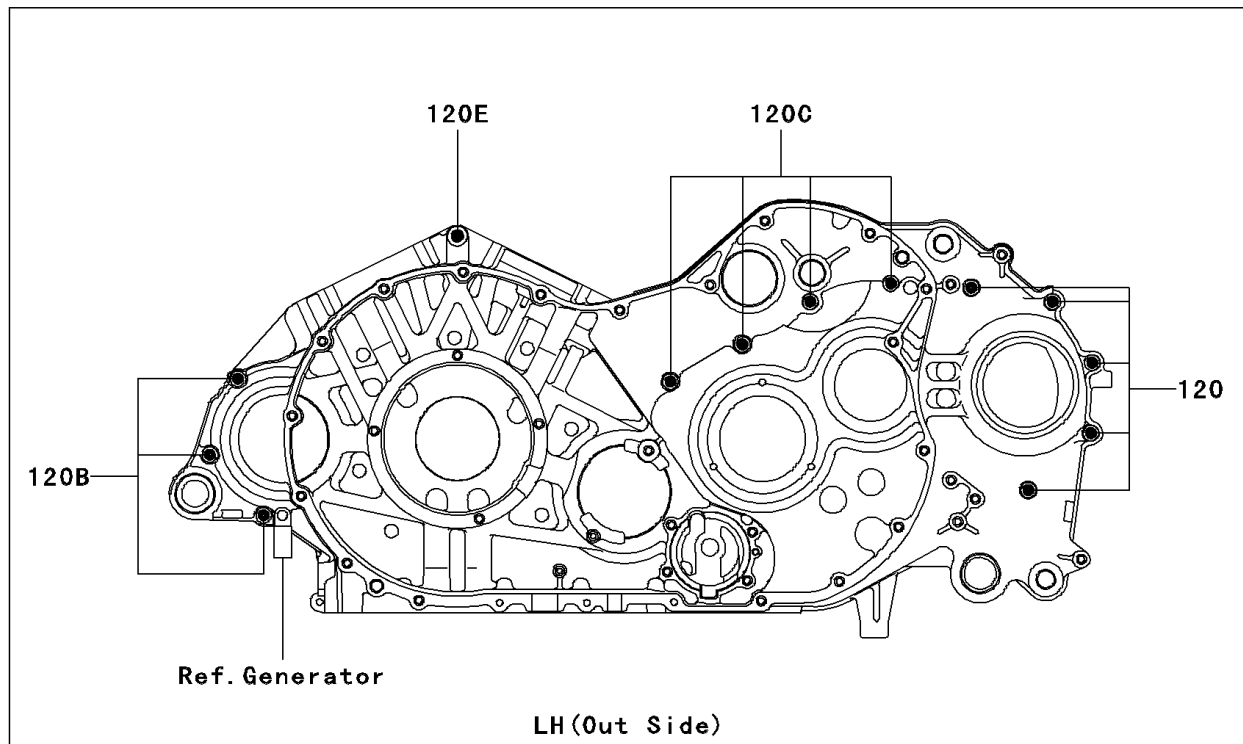


2006 Vulcan® 2000 PARTS DIAGRAM

Crankcase Bolt Pattern

E1412



2006 Vulcan® 2000 PARTS LIST

Crankcase Bolt Pattern

| ITEM NAME | PART NUMBER | QUANTITY |
|-------------------------------|-------------|----------|
| BOLT-SOCKET,6X120 (Ref # 120) | 120R06120 | 1 |
| BOLT-SOCKET,6X30 (Ref # 120A) | 120R0630 | 1 |
| BOLT-SOCKET,6X75 (Ref # 120B) | 120R0675 | 1 |
| BOLT-SOCKET,6X95 (Ref # 120C) | 120R0695 | 1 |
| BOLT-SOCKET,8X85 (Ref # 120D) | 120W0885 | 1 |
| BOLT-SOCKET,8X95 (Ref # 120E) | 120W0895 | 1 |