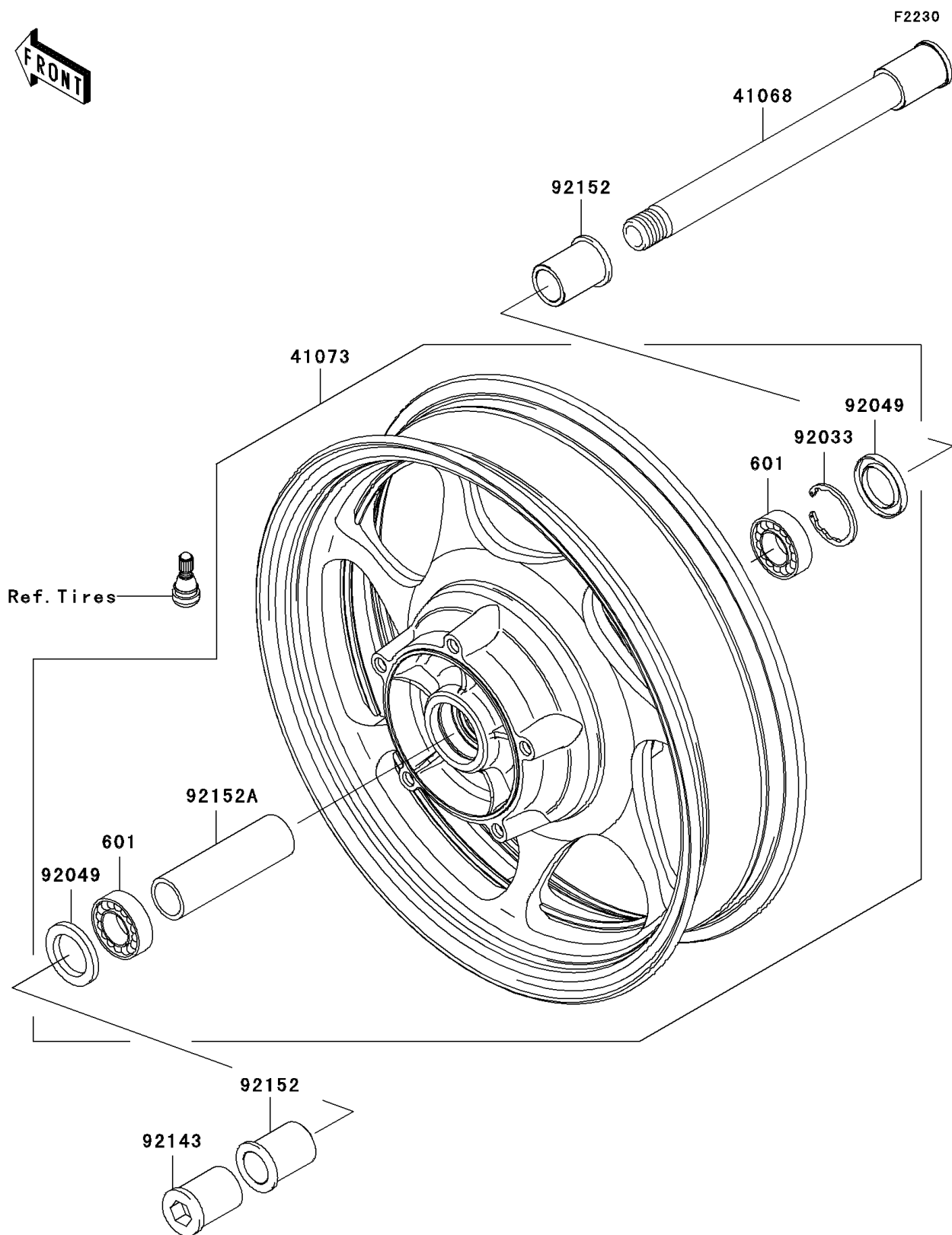


2004 Vulcan® 2000 PARTS DIAGRAM

Front Wheel



2004 Vulcan® 2000 PARTS LIST

Front Wheel

ITEM NAME	PART NUMBER	QUANTITY
BEARING-BALL,#6005UU (Ref # 601)	601B6005UU	1
AXLE,FR (Ref # 41068)	41068-0028	1
WHEEL-ASSY,FR (Ref # 41073)	41073-0004	1
RING-SNAP,47MM (Ref # 92033)	92033-1042	1
SEAL-OIL,BJN 32 47 5 (Ref # 92049)	92049-1377	1
COLLAR,FR AXLE,LH,L=44.5 (Ref # 92143)	92143-1478	1
COLLAR,FR AXLE,L=44 (Ref # 92152)	92152-0182	1
COLLAR,FR HUB,L=109 (Ref # 92152A)	92152-1308	1