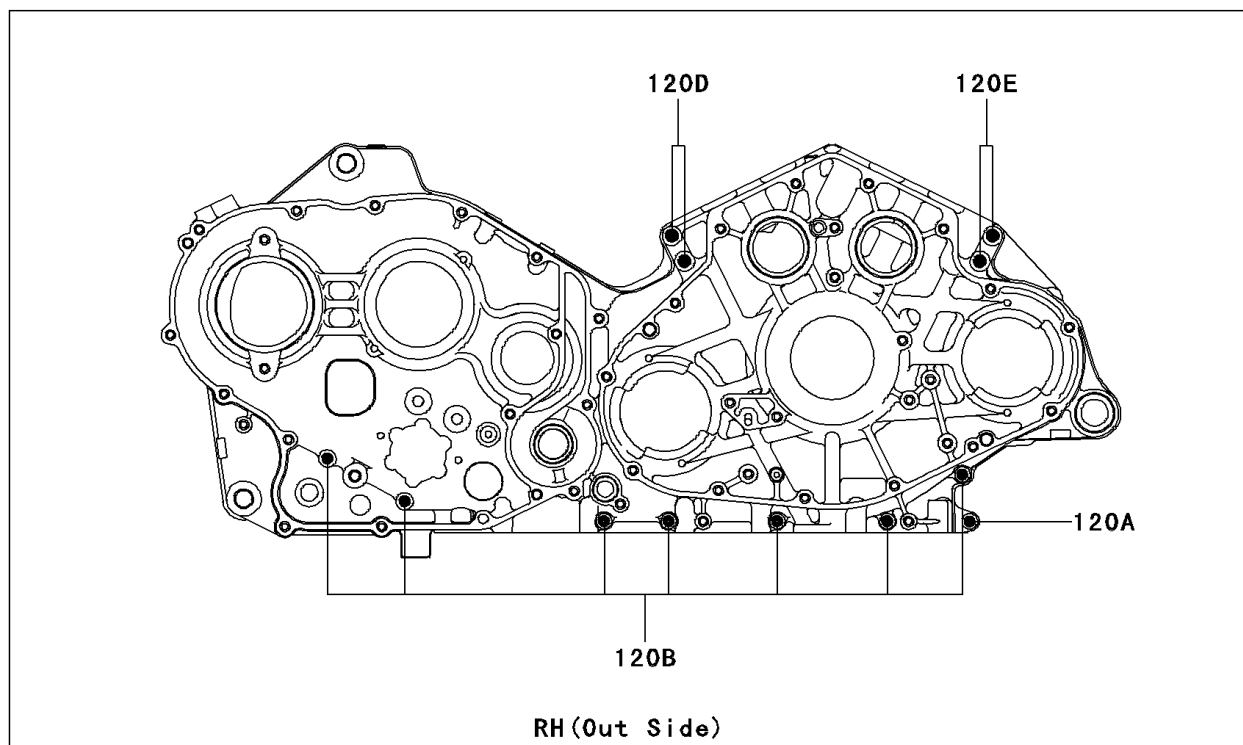
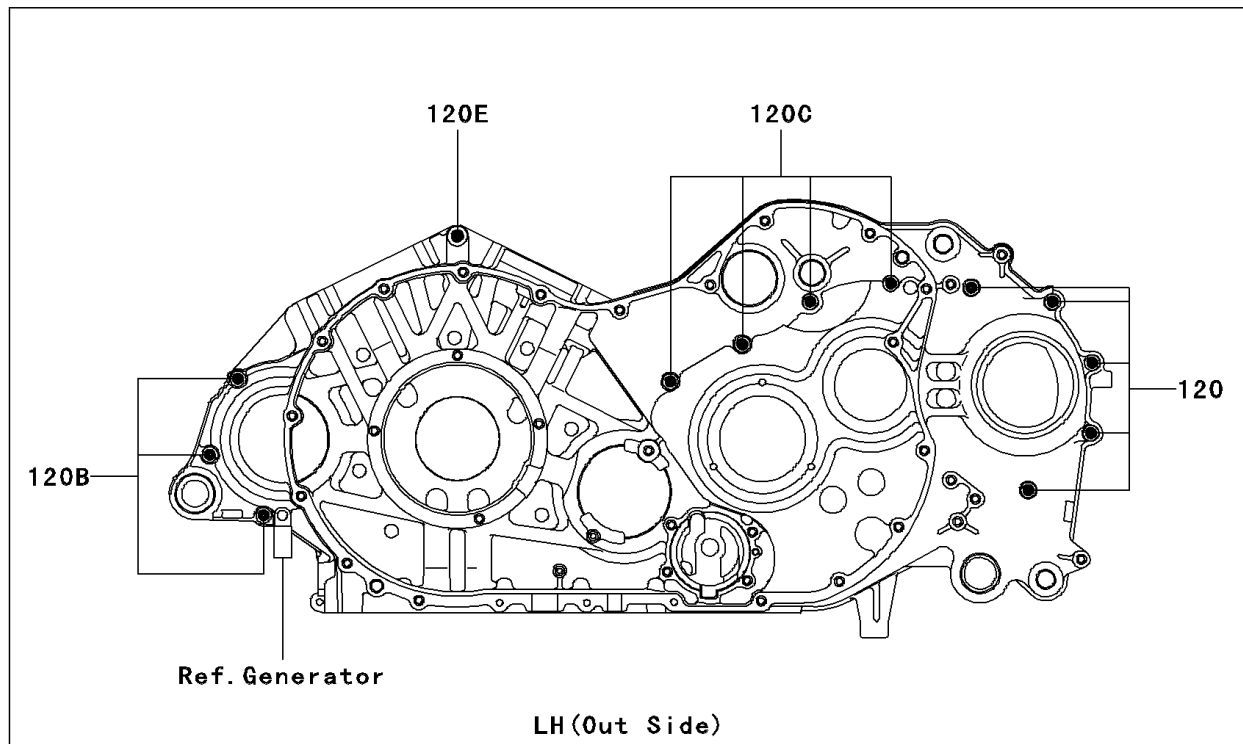


2004 Vulcan® 2000 PARTS DIAGRAM

Crankcase Bolt Pattern

E1412



2004 Vulcan® 2000 PARTS LIST

Crankcase Bolt Pattern

ITEM NAME	PART NUMBER	QUANTITY
BOLT-SOCKET,6X120 (Ref # 120)	120R06120	1
BOLT-SOCKET,6X30 (Ref # 120A)	120R0630	1
BOLT-SOCKET,6X75 (Ref # 120B)	120R0675	1
BOLT-SOCKET,6X95 (Ref # 120C)	120R0695	1
BOLT-SOCKET,8X85 (Ref # 120D)	120W0885	1
BOLT-SOCKET,8X95 (Ref # 120E)	120W0895	1