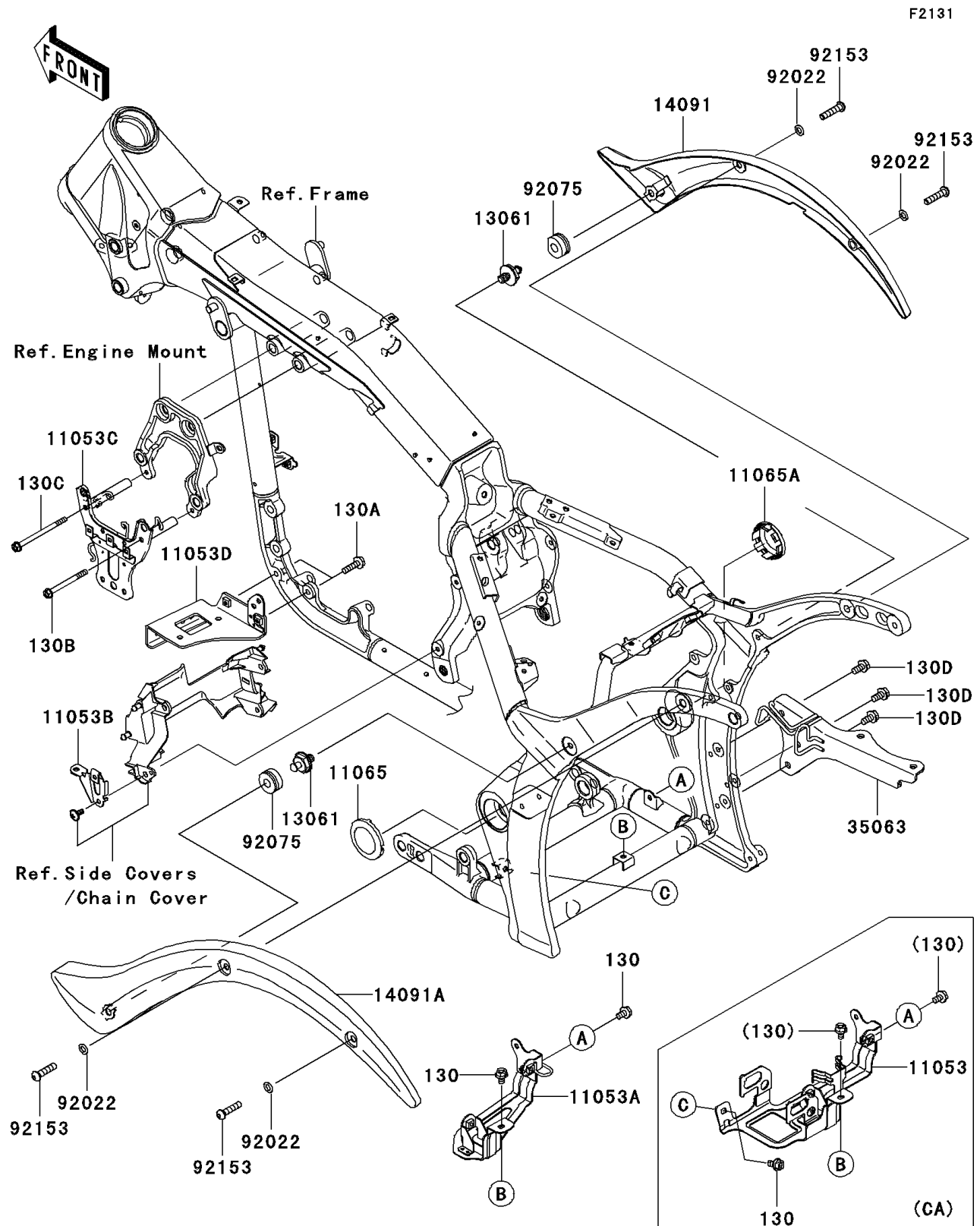


## 2008 Vulcan® 2000 PARTS DIAGRAM

Frame Fittings



## 2008 Vulcan® 2000 PARTS LIST

### Frame Fittings

ITEM NAME	PART NUMBER	QUANTITY
BOLT-FLANGED,6X22 (Ref # 130A)	130BB0622	1
BOLT-FLANGED,6X70 (Ref # 130B)	130BB0670	1
BOLT-FLANGED,6X90 (Ref # 130C)	130BB0690	1
BOLT-FLANGED,8X16 (Ref # 130D)	130BB0816	1
BRACKET,FUSE&SENSOR (Ref # 11053B)	11053-0494	1
BRACKET,IGNITION COIL (Ref # 11053C)	11053-1254	1
BRACKET,REGULATOR (Ref # 11053D)	11053-1625	1
CAP,PIVOT,LH (Ref # 11065)	11065-0052	1
CAP,PIVOT,RH (Ref # 11065A)	11065-0053	1
BOSS (Ref # 13061)	13061-0060	1
COVER,FENDER,RH (Ref # 14091)	14091-0255	1
COVER,FENDER,LH (Ref # 14091A)	14091-0594	1
STAY,MUFFLER,F.S.BLACK (Ref # 35063)	35063-0489-18R	1
WASHER,PLAIN,8MM (Ref # 92022)	92022-3043	1
DAMPER (Ref # 92075)	92075-1986	1
BOLT,SOCKET,8X35 (Ref # 92153)	92153-0419	1
BOLT-FLANGED,6X10 (Ref # 130)	130BB0610	2
BRACKET,RESERVOIR (Ref # 11053)	11053-0312	1
BRACKET,RESERVOIR (Ref # 11053A)	11053-0350	1