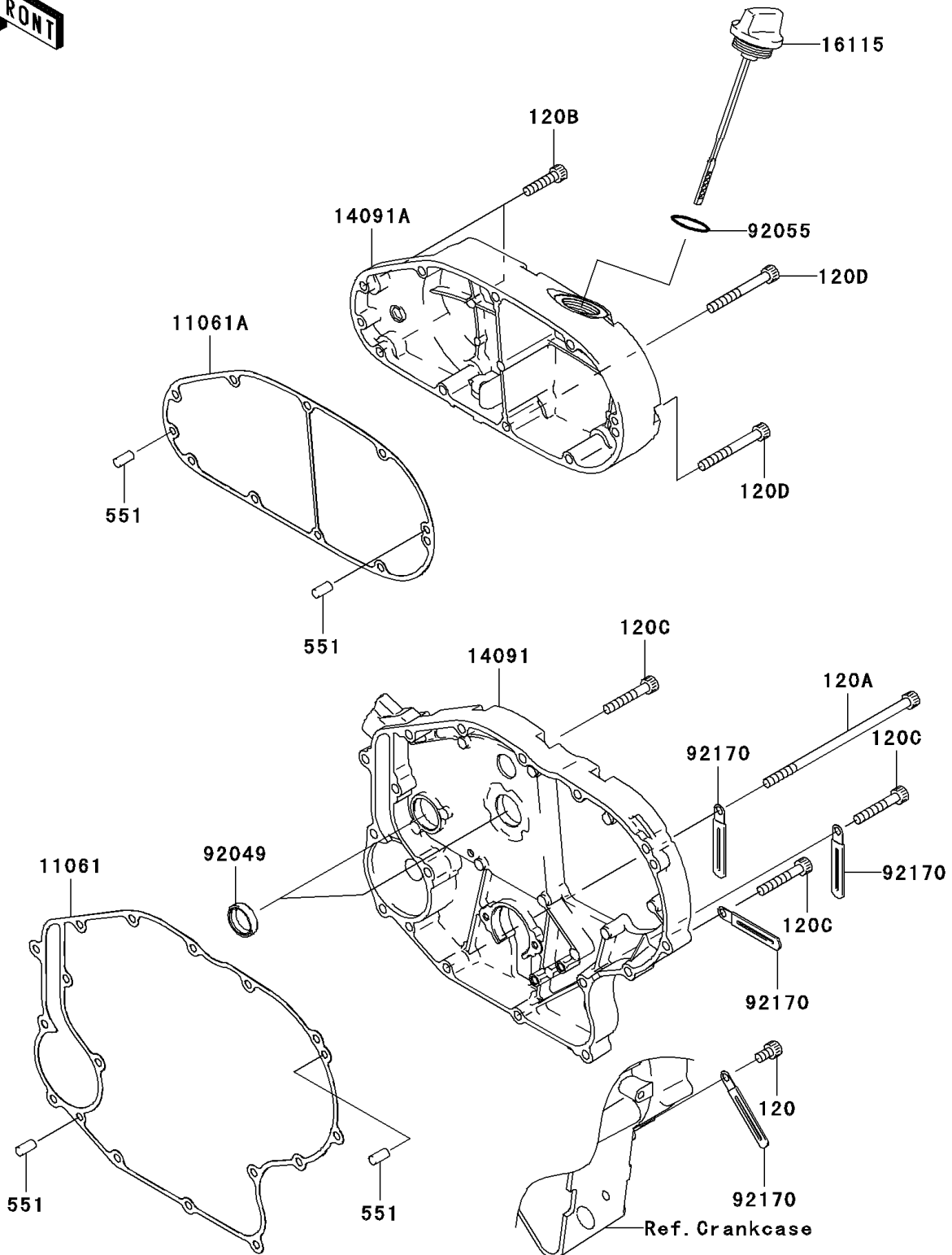


2008 Vulcan® 2000 PARTS DIAGRAM

Right Engine Cover(s)

E1436



2008 Vulcan® 2000 PARTS LIST

Right Engine Cover(s)

ITEM NAME	PART NUMBER	QUANTITY
BOLT-SOCKET,6X10 (Ref # 120)	120R0610	1
BOLT-SOCKET,6X125 (Ref # 120A)	120R06125	1
BOLT-SOCKET,6X25 (Ref # 120B)	120R0625	1
BOLT-SOCKET,6X35 (Ref # 120C)	120R0635	1
BOLT-SOCKET,6X50 (Ref # 120D)	120R0650	1
PIN-DOWEL,6X12 (Ref # 551)	551A0612	1
GASKET,TRANSMISSION,INSIDE (Ref # 11061)	11061-0017	1
GASKET,TRANSMISSION,OUTSIDE (Ref # 11061A)	11061-0018	1
COVER,TRANSMISSION,INSIDE (Ref # 14091)	14091-0251	1
COVER,TRANSMISSION OUTSIDE (Ref # 14091A)	14091-0881	1
CAP-OIL FILLER (Ref # 16115)	16115-0018	1
SEAL-OIL,20X26X6 (Ref # 92049)	92049-0019	1
RING-O,31.7X2.4 (Ref # 92055)	92055-049	1
CLAMP (Ref # 92170)	92170-1514	1