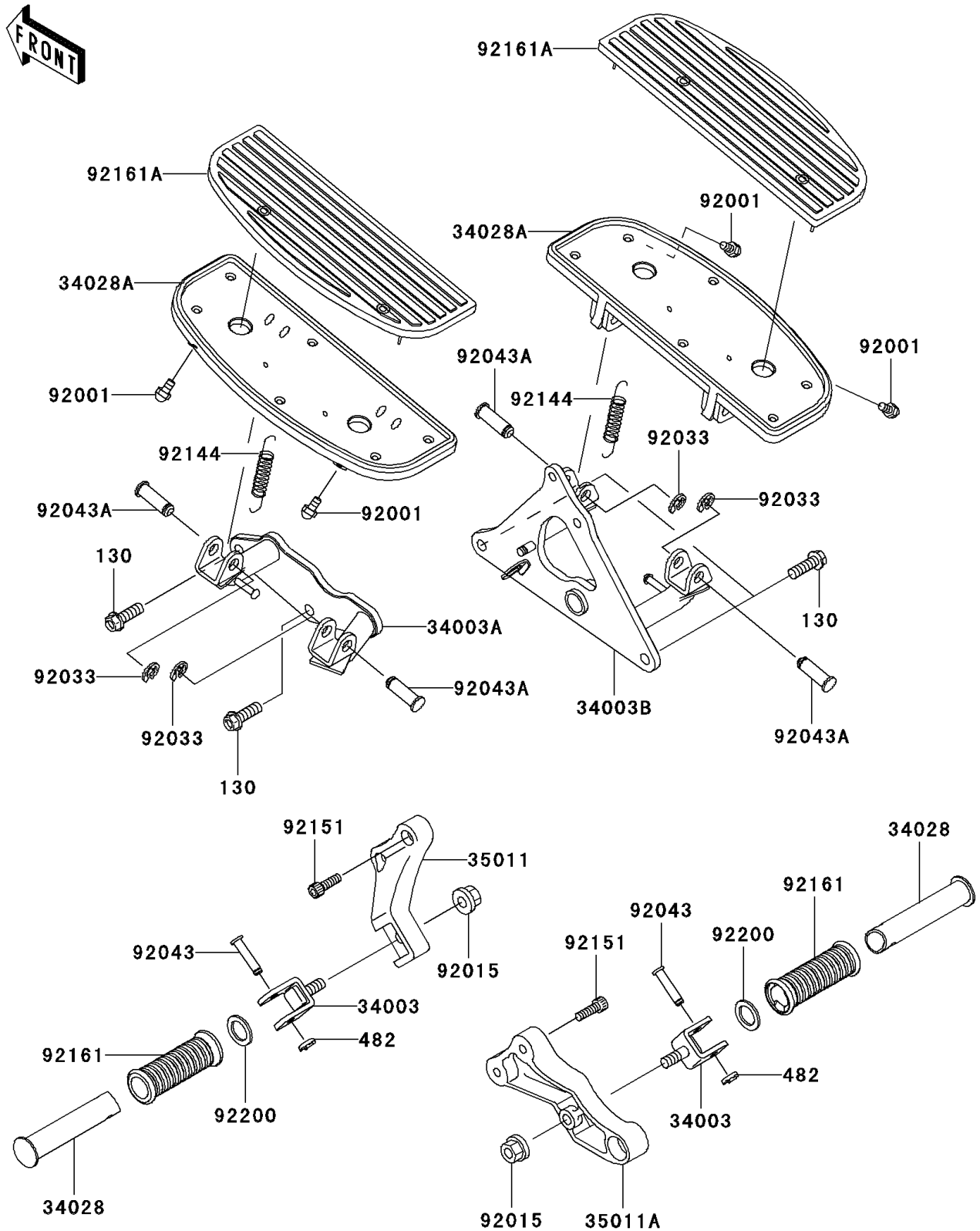


2006 Vulcan® 1500 Classic PARTS DIAGRAM

Footrests

F2160



2006 Vulcan® 1500 Classic PARTS LIST

Footrests

ITEM NAME	PART NUMBER	QUANTITY
BOLT-FLANGED,10X30 (Ref # 130)	130J1030	1
CIRCLIP-TYPE-E (Ref # 482)	482L7000	1
HOLDER-STEP,RR (Ref # 34003)	34003-0015	1
HOLDER-STEP,FR,LH (Ref # 34003A)	34003-1501	1
HOLDER-STEP,FR,RH (Ref # 34003B)	34003-1502	1
STEP,RR (Ref # 34028)	34028-0017	1
STEP,FR (Ref # 34028A)	34028-1497	1
STAY,REAR STEP,LH (Ref # 35011)	35011-1770	1
STAY,REAR STEP,RH (Ref # 35011A)	35011-1922	1
BOLT,BANK SENSOR (Ref # 92001)	92001-1905	1
NUT,FLANGED,10MM (Ref # 92015)	92015-1428	1
RING-SNAP,10MM (Ref # 92033)	92033-1166	1
PIN,8X36.5 (Ref # 92043)	92043-1339	1
PIN,12X37 (Ref # 92043A)	92043-1358	1
SPRING (Ref # 92144)	92144-1266	1
BOLT,SOCKET,8X25 (Ref # 92151)	92151-1525	1
DAMPER,STEP (Ref # 92161)	92161-0232	1
DAMPER,FRONT STEP (Ref # 92161A)	92161-1154	1
WASHER,22.5X33X2.3 (Ref # 92200)	92200-1482	1