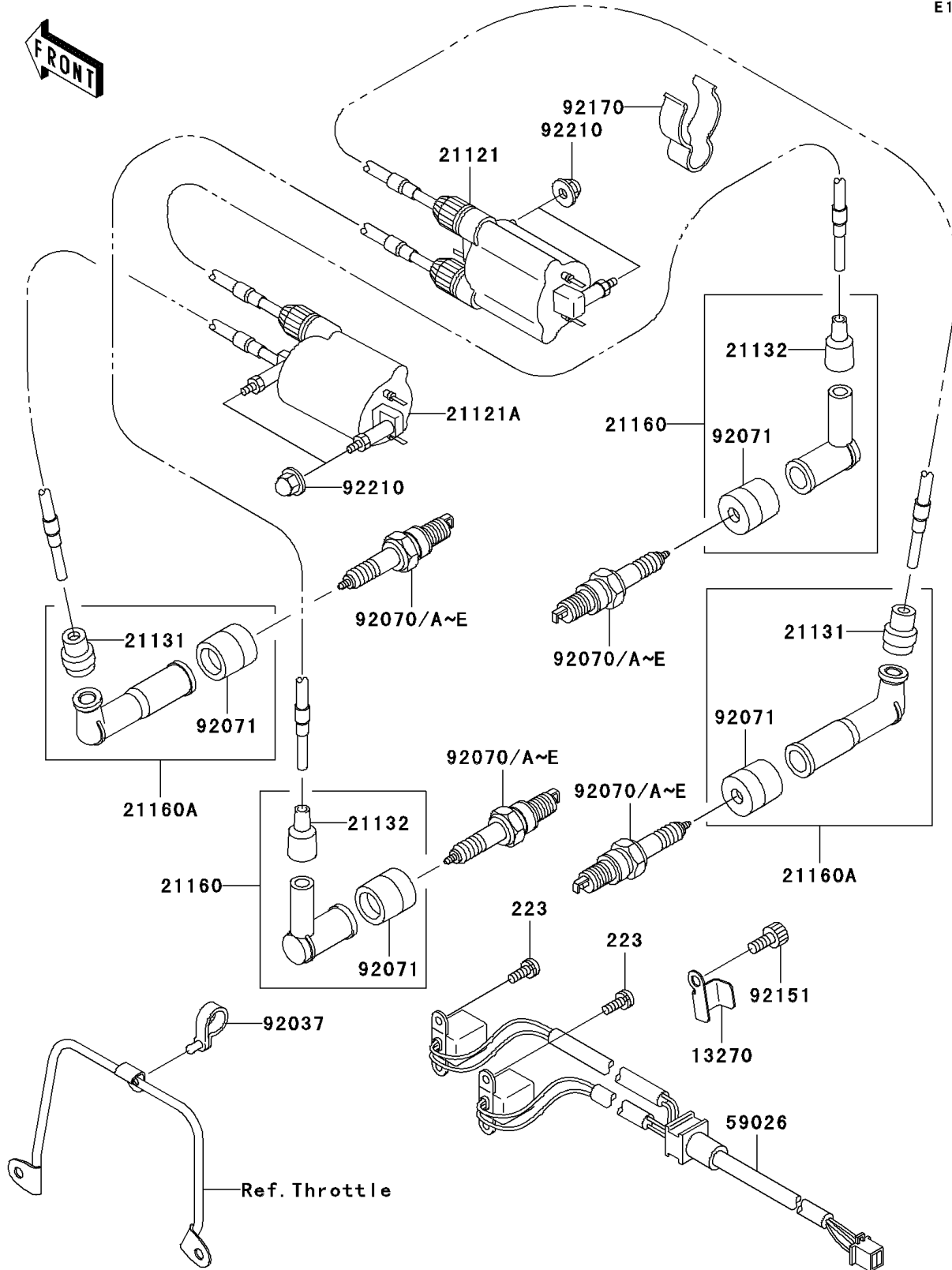


2006 Vulcan® 1500 Classic PARTS DIAGRAM

Ignition System

E1830



2006 Vulcan® 1500 Classic PARTS LIST

Ignition System

ITEM NAME	PART NUMBER	QUANTITY
SCREW-PAN-WS-CROS,5X16 (Ref # 223)	223B0516	1
PLATE (Ref # 13270)	13270-1979	1
COIL-IGNITION,RR (Ref # 21121)	21121-1288	1
COIL-IGNITION,FR (Ref # 21121A)	21121-1289	1
GROMMET,HIGH TENSION (Ref # 21131)	21131-005	1
GROMMET,HIGH TENSION (Ref # 21132)	21132-005	1
CAP-ASSY-PLUG (Ref # 21160)	21160-1085	1
CAP-ASSY-PLUG (Ref # 21160A)	21160-1091	1
COIL-PULSING (Ref # 59026)	59026-1157	1
CLAMP,SPEED,L=43 (Ref # 92037)	92037-1290	1
PLUG-SPARK,X22EPR-U9(ND) (Ref # 92070)		3
PLUG-SPARK,DPR7EA9(NGK) (Ref # 92070A)	92070-1125	1
PLUG-SPARK,DPR6EA9(NGK) (Ref # 92070B)	92070-1138	1
PLUG-SPARK,DPR5EA9(NGK) (Ref # 92070D)	92070-1250	1
GROMMET,PLUG CAP (Ref # 92071)	92071-1184	1
BOLT,6X10 (Ref # 92151)	92151-3704	1
CLAMP,HOSE (Ref # 92170)	92170-1930	1
NUT,CAP,6MM (Ref # 92210)	92210-0003	1